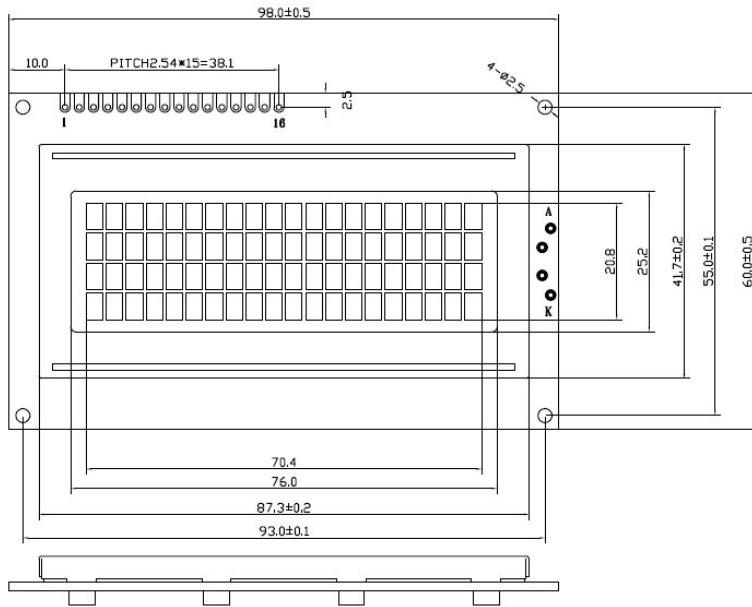


# World-Led.com

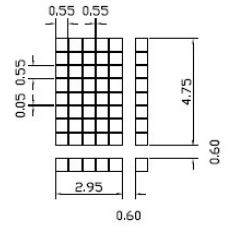
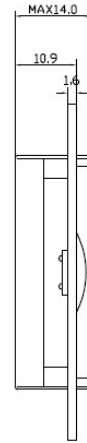
Datasheet  
LCD-2004G

**Datasheet: LCD-2004G**  
**World-Led.com**

EL Backlight  
or without Backlight

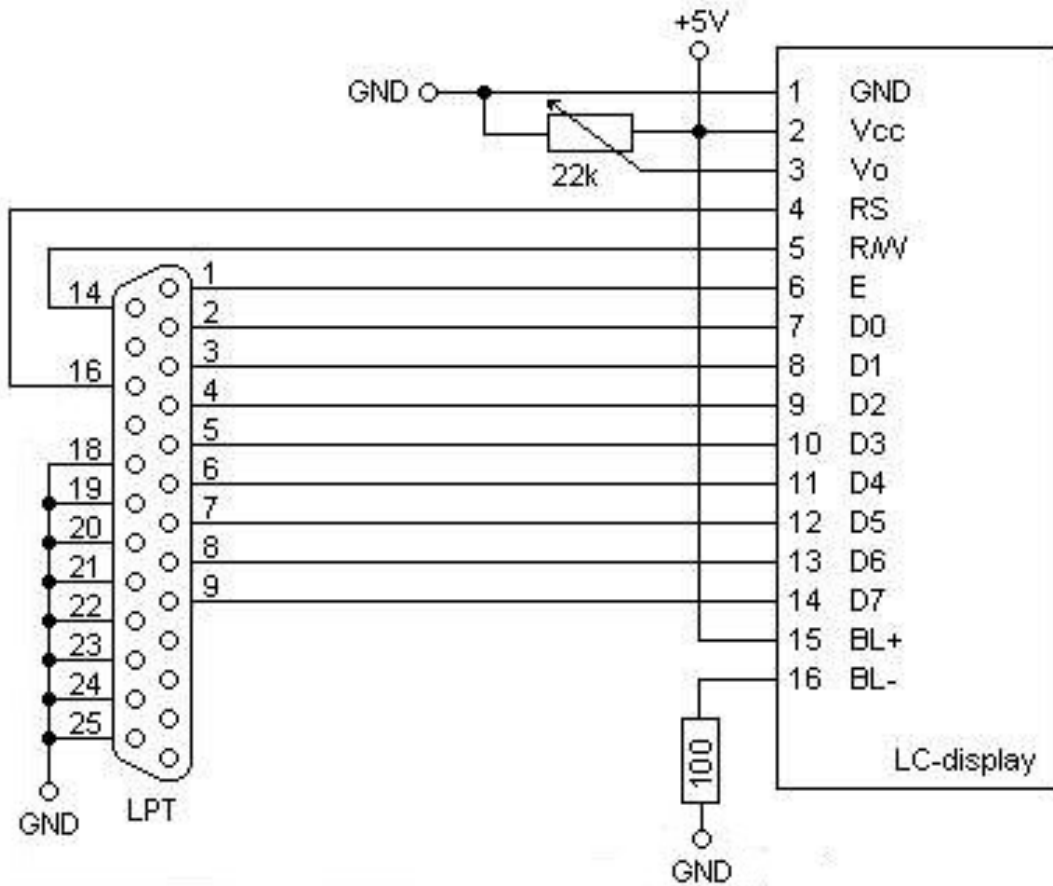


LED Backlight



Pin	1	2	3	4	5	6	7	8
Signal	VSS	VDD	VO	RS	R/W	E	DB0	DB1
Pin	9	10	11	12	13	14	15	16
Signal	DB2	DB3	DB4	DB5	DB6	DB7	A	K

**Datasheet: LCD-2004G**  
**World-Led.com**



**Datasheet: LCD-2004G**  
**World-Led.com**