

DC - Regulator DC - 12R

FEATURES :

- * DC Regulator is basically transforming the power source from the computer power supply.
- * It has different settings from 3v to 12v and polarized directions settings.
- * The DC Regulator is consisted of mounting bracket with DC output socket and power supply cable to be connected to the computer power supply.
- * The Device is designed for the application of external speakers together with the cable accessories by plug-in to the DC output socket.

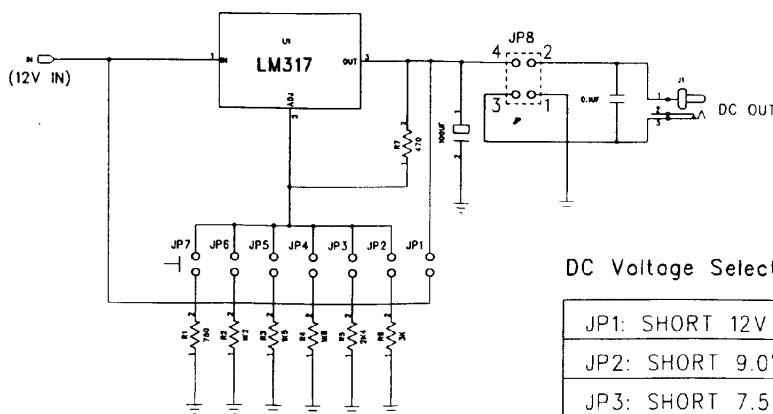
SPECIFICATIONS :

1. DC in 12v
2. DC out 12v ; 9.0v ; 7.5v ; 6.0v ; 5.0v ; 4.5v ; 3.0v
3. Current Output 2.2A
4. Voltage Output ripe 0.01v%
5. Reference Voltage thermal change 8mv

INSTALLATION :

- * Select an empty mounting slot at the back of your computer.
- * Insert the DC-12R DC Regulator to the mounting slot.
- * Connect the power cable to the 4 pins connector of the DC-12R DC Regulator.
- * Ensure the jumper setting is in correct order, (please refer to attach Diagram 1. for DC voltage selection and Polarised directions).
- Please match the Polarised direction at the back of your speaker to the jumper settings of DC-12R DC Regulator.
- * When you have completed the above procedures, connect the DC output cable to the DC-12R DC Regulator and the device e.g. Speaker Systems.

Diagram 1



DC Voltage Selecting

JP1: SHORT 12V
JP2: SHORT 9.0V
JP3: SHORT 7.5V
JP4: SHORT 6.0V
JP5: SHORT 5.0V
JP6: SHORT 4.5V
JP7: SHORT 3.0V

Polarized Direction Setting JP8

1-2 SHORT + -
3-4 SHORT - ⊕
1-3 SHORT - +
2-4 SHORT - ⊕

NOTICE: JP1-JP7 USE ONLY ONE JUMPER