

TIL920, TIL921, TIL922, TIL920A, TIL921A, TIL922A TIL920B, TIL921B, TIL922B SINGLE/DUAL/QUAD CHANNEL OPTOCOUPLED

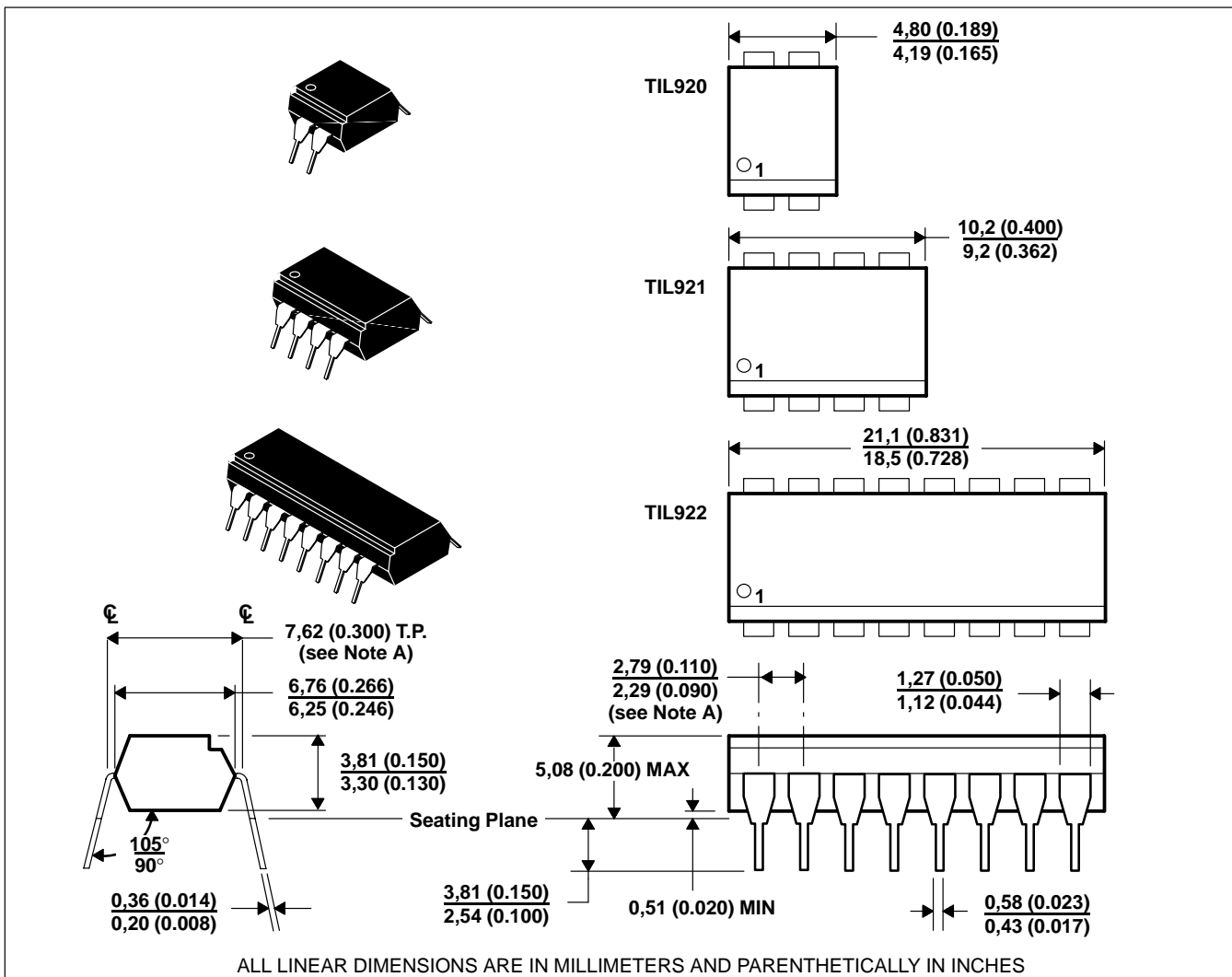
SOOS032-D3908, FEBRUARY 1992

- AC Signal Input
- Gallium-Arsenide Diode Infrared Source
- Source Is Optically Coupled to Silicon N-P-N Phototransistor
- Choice of One, Two, or Four Channels
- Choice of Three Current-Transfer Ratios
- High-Voltage Electrical Isolation . . . 7.5 kV Peak (5.3 kV rms)
- Plastic Dual-In-Line Packages
- UL Listed – File No. E65085

description

These optocouplers consist of two gallium-arsenide light-emitting diodes connected in a reverse-parallel configuration for ac-input applications and a silicon n-p-n phototransistor per channel. The TIL920 has one channel in a 4-pin package, the TIL921 has two channels in an 8-pin package, and the TIL922 has four channels in a 16-pin package. The standard devices, TIL920, TIL921, and TIL922, are tested for a current-transfer ratio of 20% minimum. Devices selected for a current-transfer ratio of 50% and 100% minimum are designated with the suffix A and B respectively.

mechanical data



NOTE A: Each pin centerline is located 0,25 (0.010) of its true longitudinal position.

PRODUCTION DATA information is current as of publication date. Products conform to specifications per the terms of Texas Instruments standard warranty. Production processing does not necessarily include testing of all parameters.



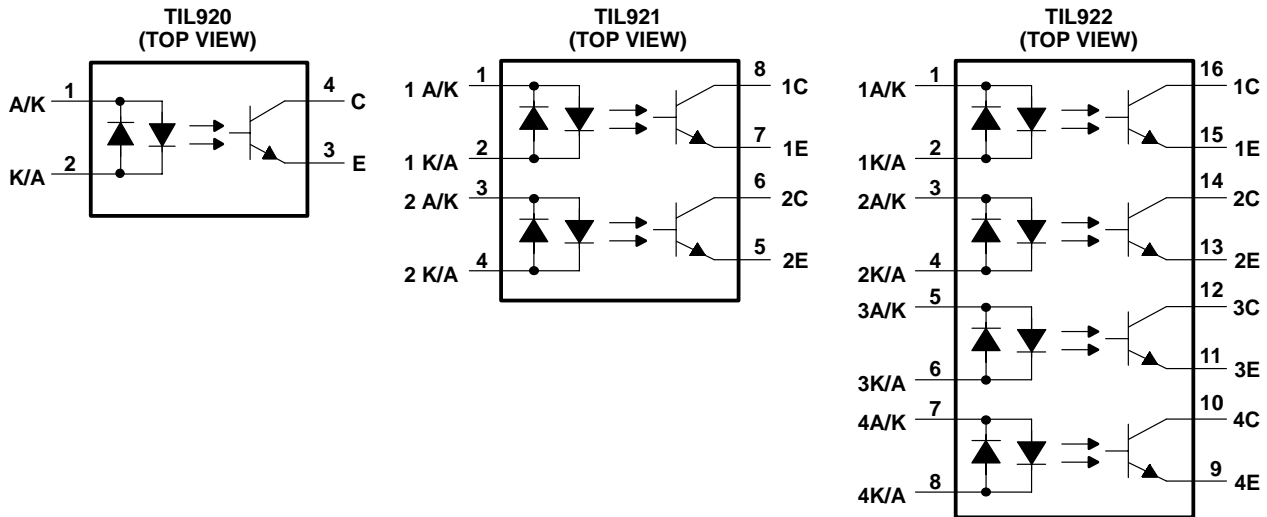
POST OFFICE BOX 655303 • DALLAS, TEXAS 75265

Copyright © 1992, Texas Instruments Incorporated

TIL920, TIL921, TIL922, TIL920A, TIL921A, TIL922A TIL920B, TIL921B, TIL922B SINGLE/DUAL/QUAD CHANNEL OPTOCOUPPLERS

SOOS032-D3908, FEBRUARY 1992

schematic diagrams



absolute maximum ratings, $T_A = 25^\circ\text{C}$ (unless otherwise noted)

Input-to-output voltage (see Note 1)	± 7.5 kV peak or dc (± 5.3 kV rms)
Collector-emitter voltage (see Note 2)	35 V
Emitter-collector voltage	7 V
Input diode continuous forward current at (or below) 25°C free-air temperature (see Note 3)	± 50 mA
Continuous power dissipation at (or below) 25°C free-air temperature:	
Phototransistor (see Note 4)	150 mW
Input diode plus phototransistor per channel (see Note 5)	200 mW
Operating free-air temperature range, T_A	-55°C to 100°C
Storage temperature range	-55°C to 125°C
Lead temperature 1,6 mm (1/16 inch) from case for 10 seconds	260°C

- NOTES: 1. This rating applies for sine-wave operation at 50 or 60 Hz. Service capability is verified by testing in accordance with UL requirements.
 2. This value applies when the base-emitter diode is open circuited.
 3. Derate linearly to 100°C free-air temperature at the rate of 0.67 mA/ $^\circ\text{C}$.
 4. Derate linearly to 100°C free-air temperature at the rate of 2 mW/ $^\circ\text{C}$.
 5. Derate linearly to 100°C free-air temperature at the rate of 2.67 mW/ $^\circ\text{C}$.

electrical characteristics, $T_A = 25^\circ\text{C}$ (unless otherwise noted)

PARAMETER		TEST CONDITIONS	MIN	TYP	MAX	UNIT
$V_{(BR)CEO}$	Collector-emitter breakdown voltage	$I_C = 0.5$ mA, $I_F = 0$	35			V
$V_{(BR)ECO}$	Emitter-collector breakdown voltage	$I_C = 100$ μ A, $I_F = 0$	7			V
$I_{C(off)}$	Off-state collector current	$V_{CE} = 24$ V, $I_F = 0$			100	nA
CTR^\dagger	Current transfer ratio	TIL920, TIL921, TIL922		20%		
		TIL920A, TIL921A, TIL922A	$I_F = 5$ mA, $V_{CE} = 5$ V	50%		
		TIL920B, TIL921B, TIL922B		100%		
V_F^\dagger	Input diode static forward voltage	$I_F = 20$ mA			1.4	V
$V_{CE(sat)}^\dagger$	Collector-emitter saturation voltage	$I_F = 5$ mA, $I_C = 1$ mA			0.4	V
C_{io}	Input-to-output capacitance	$V_{in-out} = 0$, $f = 1$ MHz, See Note 6		1		pF
r_{io}	Input-to-output internal resistance	$V_{in-out} = \pm 1$ kV, See Note 6		10^{11}		Ω
$I_{C(on)1}$ $I_{C(on)2}$	On-state collector current symmetry ratio (see Note 7)	$V_{CE} = 5$ V, $I_F = 5$ mA	1		3	

† These parameters apply to either direction of the input current.

NOTES: 6. These parameters are measured between all input-diode leads shorted together and all phototransistor leads shorted together.

7. The higher of the two values of $I_{C(on)}$ generated by the two diodes is taken as $I_{C(on)1}$.



POST OFFICE BOX 655303 • DALLAS, TEXAS 75265

TIL920, TIL921, TIL922, TIL920A, TIL921A, TIL922A
 TIL920B, TIL921B, TIL922B
 SINGLE/DUAL/QUAD CHANNEL OPTOCOUPLERS

SOOS032-D3908, FEBRUARY 1992

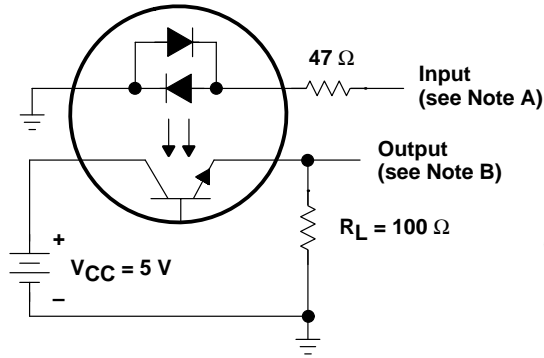
switching characteristics, $T_A = 25^\circ\text{C}$

PARAMETER†	TEST CONDITIONS	TYP	UNIT
t_r Rise time	$V_{CC} = 5\text{ V}$, $I_{C(on)} = 2\text{ mA}$, $R_L = 100\ \Omega$, See Figure 1	6	μs
t_f Fall time		6	

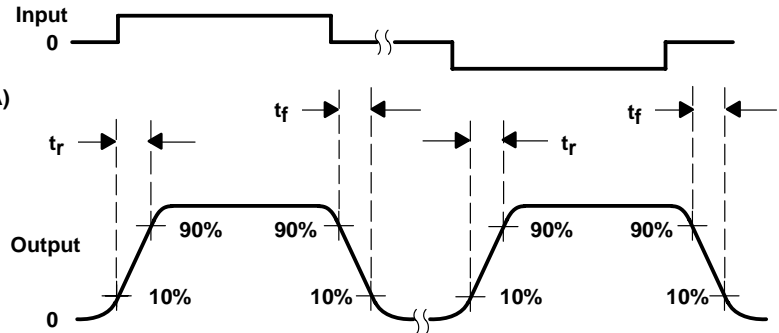
† These parameters apply to either direction of the input current.

PARAMETER MEASUREMENT INFORMATION

Adjust amplitude of input pulse for $I_{C(on)} = 2\text{ mA}$



TEST CIRCUIT



VOLTAGE WAVEFORMS

NOTES: A. The input waveform is supplied by a generator with the following characteristics: $Z_0 = 50\ \Omega$, $t_r \leq 15\text{ ns}$, duty cycle = 1%.
 B. The output waveform is monitored on an oscilloscope with the following characteristics: $t_r \leq 12\text{ ns}$, $R_i \geq 1\text{ M}\Omega$, $C_i \leq 20\text{ pF}$.

Figure 1. Switching Times

TYPICAL CHARACTERISTICS

INPUT CURRENT
 vs
 INPUT VOLTAGE

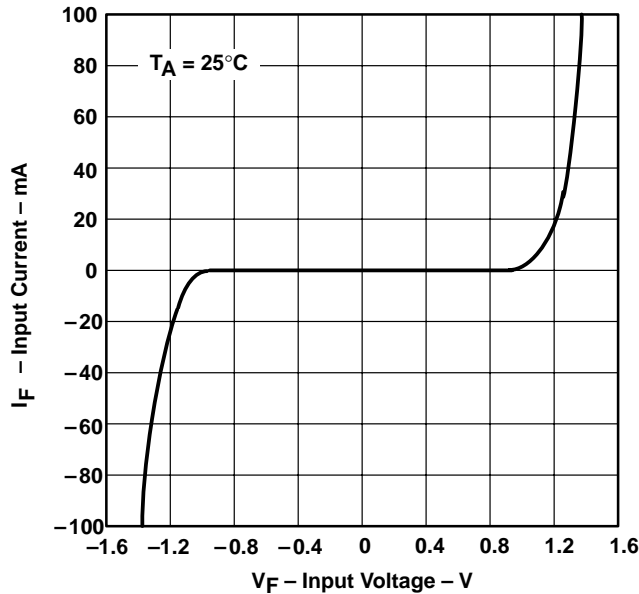


Figure 2



TYPICAL CHARACTERISTICS

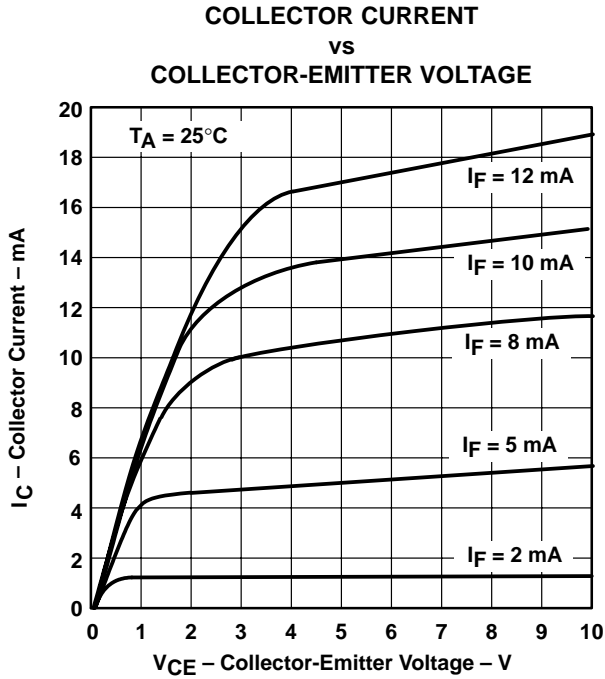


Figure 3

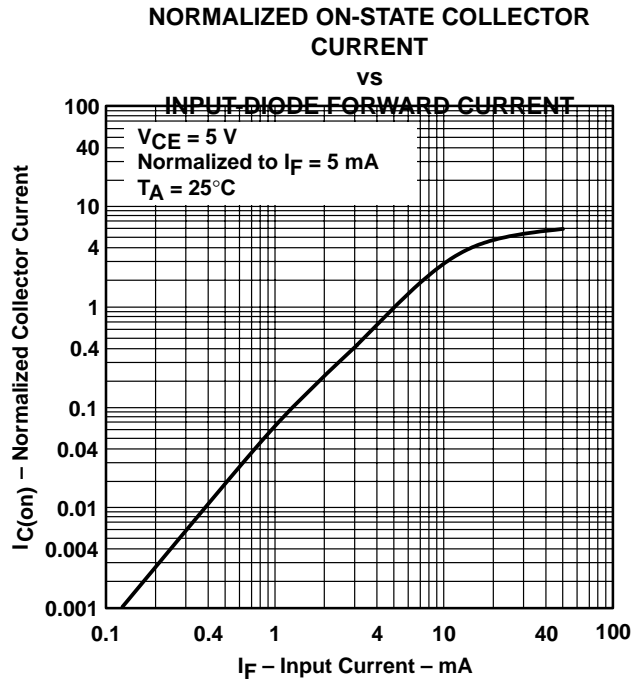


Figure 4

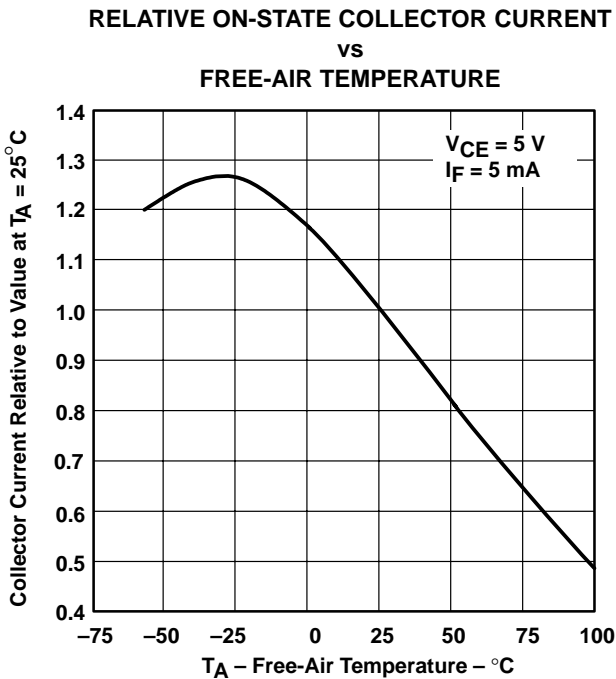


Figure 5

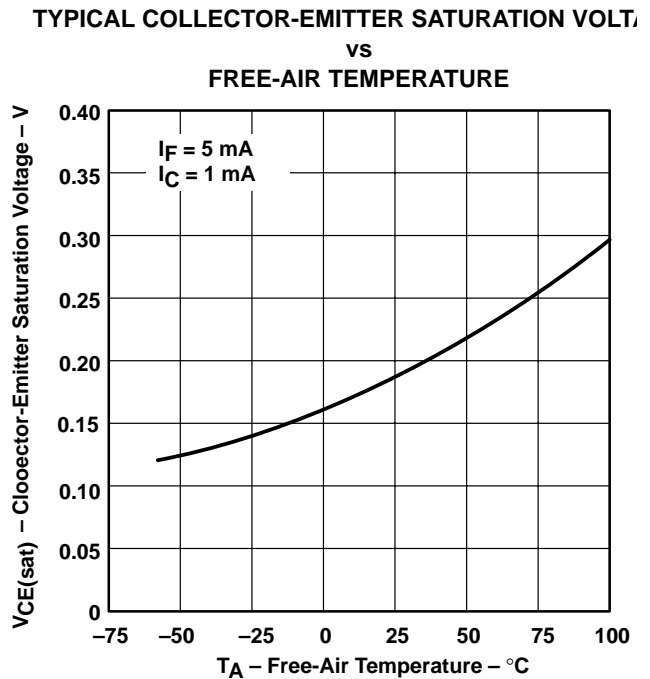


Figure 6

IMPORTANT NOTICE

Texas Instruments (TI) reserves the right to make changes to its products or to discontinue any semiconductor product or service without notice, and advises its customers to obtain the latest version of relevant information to verify, before placing orders, that the information being relied on is current.

TI warrants performance of its semiconductor products and related software to the specifications applicable at the time of sale in accordance with TI's standard warranty. Testing and other quality control techniques are utilized to the extent TI deems necessary to support this warranty. Specific testing of all parameters of each device is not necessarily performed, except those mandated by government requirements.

Certain applications using semiconductor products may involve potential risks of death, personal injury, or severe property or environmental damage ("Critical Applications").

TI SEMICONDUCTOR PRODUCTS ARE NOT DESIGNED, INTENDED, AUTHORIZED, OR WARRANTED TO BE SUITABLE FOR USE IN LIFE-SUPPORT APPLICATIONS, DEVICES OR SYSTEMS OR OTHER CRITICAL APPLICATIONS.

Inclusion of TI products in such applications is understood to be fully at the risk of the customer. Use of TI products in such applications requires the written approval of an appropriate TI officer. Questions concerning potential risk applications should be directed to TI through a local SC sales office.

In order to minimize risks associated with the customer's applications, adequate design and operating safeguards should be provided by the customer to minimize inherent or procedural hazards.

TI assumes no liability for applications assistance, customer product design, software performance, or infringement of patents or services described herein. Nor does TI warrant or represent that any license, either express or implied, is granted under any patent right, copyright, mask work right, or other intellectual property right of TI covering or relating to any combination, machine, or process in which such semiconductor products or services might be or are used.