

Compact DSC lens For CMOS imagers**Description**

The DSL853 lens is a multi-element, glass lens optimized for 1/2" format CMOS imagers. Its low-profile design is especially suited to building low-cost, compact digital cameras.

Key Features

- Low profile: optical path length <13.5 mm from lens front physical surface to the image plane
- All glass elements: compatible with outdoor environment
- Dual-mode aperture F/3.2: long depth of focus, optimized for focus operation
- High image quality
- Low-cost

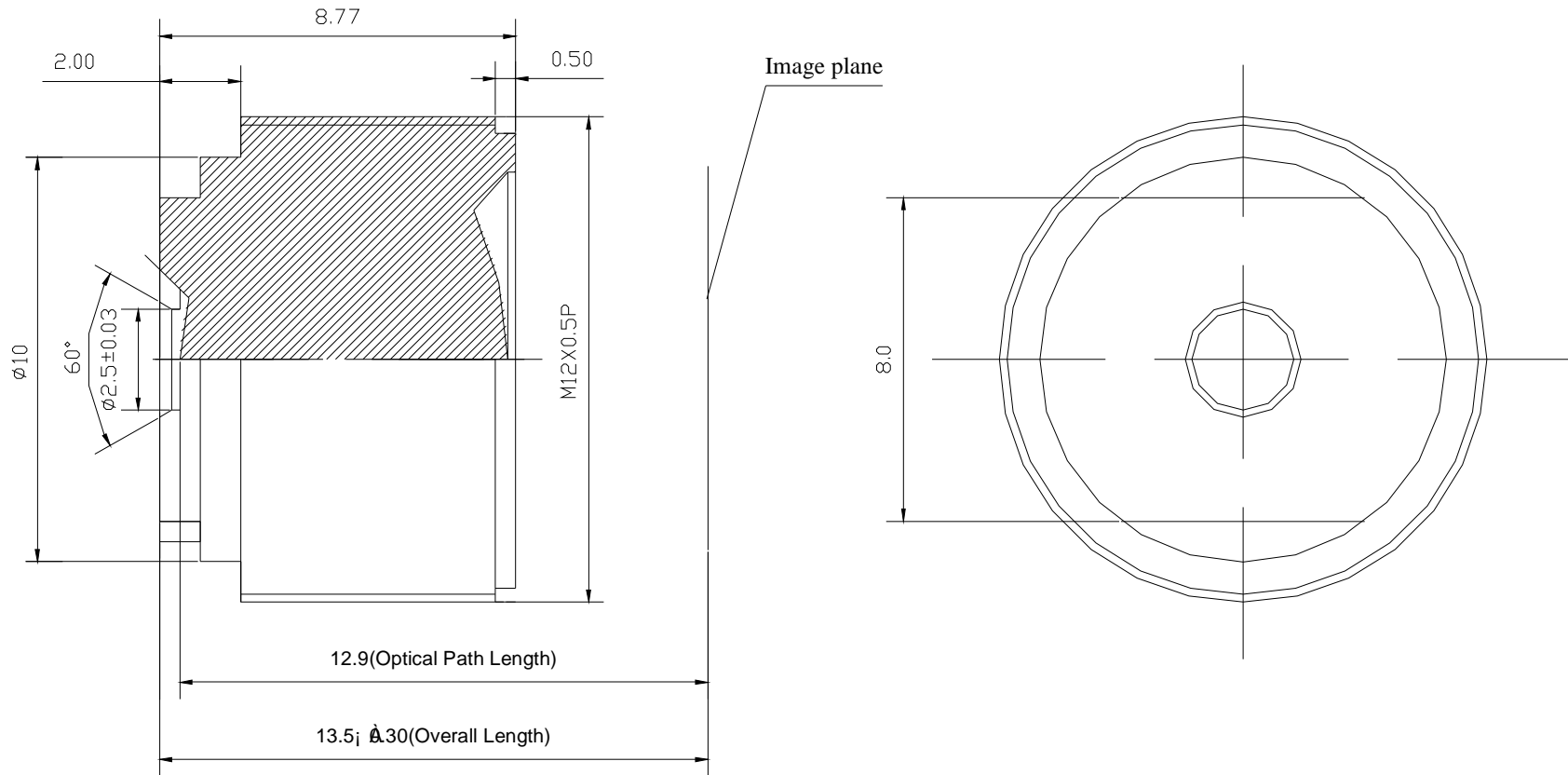
Applications

- Compact digital still cameras.

Optical specifications

PN	DSL853
Description	Low-profile DSC lens
Imager Format	1/2"
Focal length (mm)	8.0
F/#	3.2
Max. Image Circle(mm)	8.6
Diagonal Field of View (deg)	56.2
35mm Equivalent Focal Length (mm)	43
Modulation Transfer Function (MTF)	See MTF data for details
Resolution	See MTF data for details
Distortion	-1.58%
Corner chief ray angle (deg)	13.54
Relative Illumination	62%
Total optical path length (mm)	12.9
Mechanical	See below
Filter Option	IR-cut coating included
Lens mount option	Optional

Mechanical Dimension (DSL853A version):



Mechanical Dimension (DSL853B version):

