

COP87L20CJ/COP87L22CJ 8-Bit One-Time Programmable (OTP) Microcontrollers with Multi-Input Wake-Up and Brown Out Detector

General Description

The COP87L20CJ/COP87L22CJ are members of the COP8™ 8-bit OTP Microcontroller family. It is pin and software compatible to the mask ROM COP820CJ/COP822CJ product family. The device is a fully static Microcontroller, fabricated using double-metal silicon gate microCMOS technology. Features include an 8-bit memory mapped architecture, MICROWIRE/PLUS™ serial I/O, a 16-bit timer/counter with capture register, a multi-sourced interrupt, Comparator, Brown out protection and Multi-Input Wakeup. Each I/O pin has software selectable options to adapt the device to the specific application. The device operates over a voltage range of 2.7V to 5.5V. High throughput is achieved with an efficient, regular instruction set operating at a 1 μ s per instruction rate.

The equivalent mask programmable device contains the Brown Out detection feature. This feature is not supported on these OTP devices.

Key Features

- Multi-Input Wake-Up (on the 8-bit Port L)
- Analog comparator
- Modulator/timer (high speed PWM timer for IR transmission)
- 16-bit multi-function timer supporting
 - PWM mode
 - External event counter mode
 - Input capture mode
- Integrated capacitor for the R/C oscillator
- 1 kbyte on-board EPROM with security feature
- 64 bytes on-board RAM

I/O Features

- Memory mapped I/O
- Software selectable I/O options (TRI-STATE®, Push-Pull, Weak Pull-Up Input, High Impedance Input)
- High current outputs (8 pins)
- Schmitt trigger inputs on Port G
- MICROWIRE/PLUS serial I/O
- Packages:
 - 20 DIP/SO with 16 I/O pins
 - 28 DIP/SO with 24 I/O pins

CPU/Instruction Set Features

- 1 μ s instruction cycle time
- Three multi-source interrupts servicing
 - External interrupt with selectable edge
 - Timer interrupt
 - Software interrupt
- Versatile and easy to use instruction set
- 8-bit stack pointer (SP)—stack in RAM
- Two 8-bit Register Indirect Data Memory Pointers (B and X)

Fully Static CMOS

- Low current drain (typically < 1 μ A)
- Single supply operation: 2.7V to 5.5V
- Temperature range: -40°C to +85°C

Development Support

- Emulation device for the COP820CJ/COP822CJ
- Real time emulation and full program debug offered by MetaLink Development Systems

COP87L20CJ/COP87L22CJ 8-Bit One-Time Programmable (OTP) Microcontrollers with Multi-Input Wake-Up and Brown Out Detector

Block Diagram

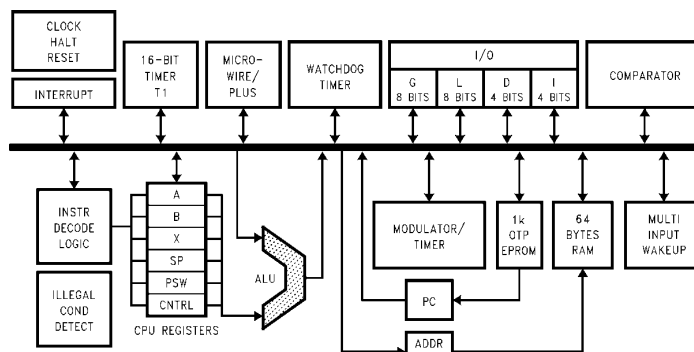


FIGURE 1. Block Diagram

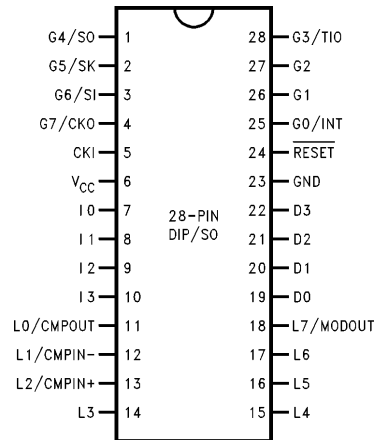
TL/DD/12528-1

TRI-STATE® is a registered trademark of National Semiconductor Corporation.
COP8™, MICROWIRE™, MICROWIRE/PLUS™ and WATCHDOG™ are trademarks of National Semiconductor Corporation.
iceMASTER™ is a trademark of MetaLink Corporation.

Pin Assignment

| Port Pin | Typ | ALT Funct. | 20 Pin | 28 Pin |
|-----------------|-----|-------------|--------|--------|
| L0 | I/O | MIWU/CMPOUT | 7 | 11 |
| L1 | I/O | MIWU/CMPIN- | 8 | 12 |
| L2 | I/O | MIWU/CMPIN+ | 9 | 13 |
| L3 | I/O | MIWU | 10 | 14 |
| L4 | I/O | MIWU | 11 | 15 |
| L5 | I/O | MIWU | 12 | 16 |
| L6 | I/O | MIWU | 13 | 17 |
| L7 | I/O | MIWU/MODOUT | 14 | 18 |
| G0 | I/O | INTR | 17 | 25 |
| G1 | I/O | | 18 | 26 |
| G2 | I/O | | 19 | 27 |
| G3 | I/O | TIO | 20 | 28 |
| G4 | I/O | SO | 1 | 1 |
| G5 | I/O | SK | 2 | 2 |
| G6 | I | SI | 3 | 3 |
| G7 | I | CKO | 4 | 4 |
| I0 | I | | | 7 |
| I1 | I | | | 8 |
| I2 | I | | | 9 |
| I3 | I | | | 10 |
| D0 | O | | | 19 |
| D1 | O | | | 20 |
| D2 | O | | | 21 |
| D3 | O | | | 22 |
| V _{CC} | | | 6 | 6 |
| GND | | | 15 | 23 |
| CKI | | | 5 | 5 |
| RESET | | | 16 | 24 |

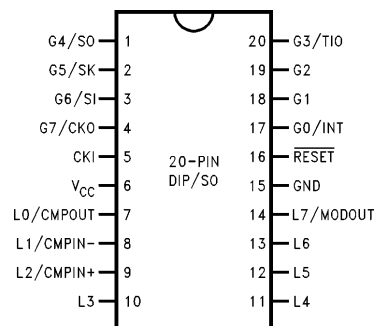
Connection Diagrams



TL/DD/12528-2

Top View

Order Number
COP87L20CJN (-1N, -2N, -3N)
COP87L20CJM (-1N, -2N, -3N)
 See NS Package Number N28B or M28B



TL/DD/12528-3

Top View

Order Number
COP87L22CJN (-1N, -2N, -3N)
COP87L22CJM (-1N, -2N, -3N)
 See NS Package Number N20A or M20B

Note: -1 Crystal Oscillator N - Brown out disabled
 -2 External Oscillator
 -3 R/C Oscillator

FIGURE 2. Connection Diagrams

Absolute Maximum Ratings

If Military/Aerospace specified devices are required, please contact the National Semiconductor Sales Office/Distributors for availability and specifications.

| | |
|--|--------------------------|
| Supply Voltage (V_{CC}) | 7.0V |
| Voltage at any Pin | -0.3V to $V_{CC} + 0.3V$ |
| Total Current into V_{CC} pin (Source) | 80 mA |

| | |
|-------------------------------------|-----------------|
| Total Current out of GND pin (sink) | 80 mA |
| Storage Temperature Range | -65°C to +150°C |

Note: Absolute maximum ratings indicate limits beyond which damage to the device may occur.

DC and AC electrical specifications are not ensured when operating the device at absolute maximum ratings.

DC Electrical Characteristics $-40^{\circ}\text{C} \leq T_A \leq +85^{\circ}\text{C}$ unless otherwise specified

| Parameter | Conditions | Min | Typ | Max | Units |
|--|---|--|---------------|----------------------------------|--|
| Operating Voltage Power Supply Ripple 1 (Note 1) | Peak to Peak | 2.7 | | 5.5 0.1 V_{CC} | V V |
| Supply Current (Note 2) CKI = 10 MHz CKI = 4 MHz HALT Current (Note 3) | $V_{CC} = 5.5V, t_c = 1 \mu s$ $V_{CC} = 4.0V, t_c = 2.5 \mu s$ $V_{CC} = 5.5V, CKI = 0 \text{ MHz}$ | | | 10 6.0 12 | mA mA μA |
| INPUT LEVELS (V_{IH}, V_{IL}) Reset, CKI: Logic High Logic Low All Other Inputs Logic High Logic Low | | 0.8 V_{CC} 0.7 V_{CC} | | 0.2 V_{CC} 0.2 V_{CC} | V V V V |
| Hi-Z Input Leakage | $V_{CC} = 5.5V$ | -2 | | +2 | μA |
| Input Pullup Current | $V_{CC} = 5.5V$ | -40 | | -250 | μA |
| L- and G-Port Hysteresis (Note 6) | | | 0.05 V_{CC} | 0.35 V_{CC} | V |
| Output Current Levels D Outputs: Source Sink (Note 4) L4-L7 Output Sink All Others Source (Weak Pull-up Mode) Source (Push-pull Mode) Sink (Push-pull Mode) TRI-STATE Leakage | $V_{CC} = 4.5V, V_{OH} = 3.8V$ $V_{CC} = 4.5V, V_{OL} = 1.0V$ $V_{CC} = 4.5V, V_{OL} = 2.5V$ $V_{CC} = 4.5V, V_{OH} = 3.2V$ $V_{CC} = 4.5V, V_{OH} = 3.8V$ $V_{CC} = 4.5V, V_{OL} = 0.4V$ $V_{CC} = 5.5V$ | -0.4 10 15 -10 -0.4 1.6 -2.0 | | -110 | mA mA mA μA mA mA mA μA |
| Allowable Sink/Source Current Per Pin D Outputs L4-L7 (Sink) All Others | | | | 15 20 3.0 | mA mA mA |
| Maximum Input Current without Latchup (Note 5) | $T_A = 25^{\circ}\text{C}$ | | | ± 100 | mA |
| RAM Retention Voltage, V_r | 500 ns Rise and Fall Time (Min) | 2.0 | | | V |
| Input Capacitance | | | | 7.0 | pF |
| Load Capacitance on D2 | | | | 1000 | pF |

Note 1: Rate of voltage change must be less than 10 V/mS.

Note 2: Supply current is measured after running 2000 cycles with a square wave CKI input, CKO open, inputs at rails and outputs open.

Note 3: The HALT mode will stop CKI from oscillating in the RC and crystal configurations by bringing CKI high. HALT test conditions: All inputs tied to V_{CC} , L and G ports in the TRI-STATE mode are tied to ground, all outputs low are ties to ground. The comparator is disabled.

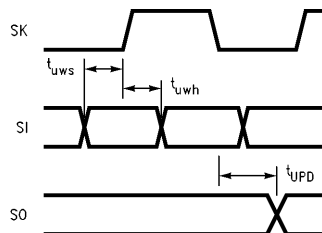
Note 4: The user must guarantee that D2 pin does not source more than 10 mA during RESET. If D2 sources more than 10 mA during reset, the device will go into programming mode.

Note 5: Pins G6 and $\overline{\text{RESET}}$ are designed with a high voltage input network. These pins allow input voltages greater than V_{CC} and the pins will have sink current to V_{CC} when biased at voltages greater than V_{CC} (the pins do not have source current when biased at a voltage below V_{CC}). The effective resistance to V_{CC} is 750 Ω (typical). These two pins will not latch up. The voltage at the pins must be limited to less than 14V.

AC Electrical Characteristics $-40^{\circ}\text{C} \leq T_A \leq +85^{\circ}\text{C}$ unless otherwise specified

| Parameter | Conditions | Min | Typ | Max | Units |
|--|--|-----|-----|-----|---------------|
| Instruction Cycle Time (t_c) | | | | | |
| Crystal/Resonator | $4.5\text{V} \leq V_{CC} \leq 5.5\text{V}$ | 1 | | DC | μs |
| R/C Oscillator | $4.5\text{V} \leq V_{CC} \leq 5.5\text{V}$ | 3 | | DC | μs |
| CKI Clock Duty Cycle (Note 6) | $f_r = \text{Max}$ | 40 | | 60 | % |
| Rise Time (Note 6) | $f_r = 10\text{ MHz ext. Clock}$ | | | 12 | ns |
| Fall Time (Note 6) | $f_r = 10\text{ MHz ext. Clock}$ | | | 8 | ns |
| Inputs | | | | | |
| t_{Setup} | $4.5\text{V} \leq V_{CC} \leq 5.5\text{V}$ | 200 | | | ns |
| t_{Hold} | $4.5\text{V} \leq V_{CC} \leq 5.5\text{V}$ | 60 | | | ns |
| Output Propagation Delay | $R_L = 2.2\text{k}, CL = 100\text{ pF}$ | | | | |
| $t_{\text{PD1}}, t_{\text{PD0}}$ | $4.5\text{V} \leq V_{CC} \leq 5.5\text{V}$ | | | 0.7 | μs |
| SO, SK | $4.5\text{V} \leq V_{CC} \leq 5.5\text{V}$ | | | 1 | μs |
| All Others | $4.5\text{V} \leq V_{CC} \leq 5.5\text{V}$ | | | | |
| Input Pulse Width | | | | | |
| Interrupt Input High Time | | 1 | | | tc |
| Interrupt Input Low Time | | 1 | | | tc |
| Timer Input High Time | | 1 | | | tc |
| Timer Input Low Time | | 1 | | | tc |
| MICROWIRE/PLUS Setup Time ($t_{\mu\text{WS}}$) | | 20 | | | ns |
| MICROWIRE/PLUS Hold Time ($t_{\mu\text{WH}}$) | | 56 | | | ns |
| MICROWIRE/PLUS Output Propagation Delay ($t_{\mu\text{PD}}$) | | | | 220 | ns |
| Reset Pulse Width | | 1 | | | μs |

Note 6: Parameter characterized but not production tested.



TL/DD/12528-4

FIGURE 3. MICROWIRE/PLUS Timing

Pin Description

V_{CC} and **GND** are the power supply pins.

CKI is the clock input. This can come from an external source, a R/C generated oscillator or a crystal (in conjunction with CKO). See Oscillator description.

RESET is the master reset input. See Reset description.

PORT I is a 4-bit Hi-Z input port.

PORT L is an 8-bit I/O port.

There are two registers associated with the L port: a data register and a configuration register. Therefore, each L I/O bit can be individually configured under software control as shown below:

| Port L Config. | Port L Data | Port L Setup |
|----------------|-------------|-------------------------|
| 0 | 0 | Hi-Z Input (TRI-STATE) |
| 0 | 1 | Input with Weak Pull-up |
| 1 | 0 | Push-pull Zero Output |
| 1 | 1 | Push-pull One Output |

Three data memory address locations are allocated for this port, one each for data register [00D0], configuration register [00D1] and the input pins [00D2].

Port L has the following alternate features:

L0 MIWU or CMPOUT

L1 MIWU or CMPIN-

L2 MIWU or CMPIN+

L3 MIWU

L4 MIWU (high sink current capability)

L5 MIWU (high sink current capability)

L6 MIWU (high sink current capability)

L7 MIWU or MODOUT (high sink current capability)

The selection of alternate Port L functions is done through registers WKEN [00C9] to enable MIWU and CNTRL2 [00CC] to enable comparator and modulator.

All eight L-pins have Schmitt Triggers on their inputs.

PORT G is an 8-bit port with 6 I/O pins (G0-G5) and 2 input pins (G6, G7).

All eight G-pins have Schmitt Triggers on the inputs.

There are two registers associated with the G port: a data register and a configuration register. Therefore each G port bit can be individually configured under software control as shown below:

| Port G Config. | Port G Data | Port G Setup |
|----------------|-------------|-------------------------|
| 0 | 0 | Hi-Z Input (TRI-STATE) |
| 0 | 1 | Input with Weak Pull-up |
| 1 | 0 | Push-pull Zero Output |
| 1 | 1 | Push-pull One Output |

Three data memory address locations are allocated for this port, one for data register [00D3], one for configuration register [00D5] and one for the input pins [00D6]. Since G6 and G7 are Hi-Z input only pins, any attempt by the user to configure them as outputs by writing a one to the configuration register will be disregarded. Reading the G6 and G7 configuration bits will return zeros. Note that the device will be placed in the Halt mode by writing a "1" to the G7 data bit.

Six pins of Port G have alternate features:

G0 INTR (an external interrupt)

G3 TIO (timer/counter input/output)

G4 SO (MICROWIRE™ serial data output)

G5 SK (MICROWIRE clock I/O)

G6 SI (MICROWIRE serial data input)

G7 CKO crystal oscillator output (selected by mask option) or HALT restart input/general purpose input (if clock option is R/C or external clock)

Pins G1 and G2 currently do not have any alternate functions.

The selection of alternate Port G functions are done through registers PSW [00EF] to enable external interrupt and CNTRL1 [00EE] to select TIO and MICROWIRE operations.

PORT D is a four bit output port that is preset when RESET goes low. One data memory address location is allocated for the data register [00DC]. The user can tie two or more D port outputs (except D2 pin) together in order to get a higher drive.

Note: Care must be exercised with the D2 pin operation. At RESET, the external loads on this pin must ensure that the output voltages stay above 0.8 V_{CC} to prevent the chip from entering special modes. Also keep the external loading on D2 to less than 1000 pF.

Functional Description

ALU and CPU Registers

The ALU can do an 8-bit addition, subtraction, logical or shift operations in one cycle time. There are five CPU registers:

A is the 8-bit Accumulator register

PC is the 15-bit Program Counter register

PU is the upper 7 bits of the program counter (PC)

PL is the lower 8 bits of the program counter (PC)

B is the 8-bit address register and can be auto incremented or decremented.

X is the 8-bit alternate address register and can be auto incremented or decremented.

SP is the 8-bit stack pointer which points to the subroutine stack (in RAM).

B, X and SP registers are mapped into the on chip RAM. The B and X registers are used to address the on chip RAM. The SP register is used to address the stack in RAM during subroutine calls and returns. The SP must be preset by software before any subroutine call or interrupts occur.

Functional Description (Continued)

PROGRAM MEMORY

Program memory consists of 1 kByte of OTP EPROM. These bytes of ROM may be instructions or constant data. The memory is addressed by the 15-bit program counter (PC). ROM can be indirectly read by the LAID instruction for table lookup.

The device can be configured to inhibit external reads of the program memory. This is done by programming the Security Byte.

SECURITY FEATURE

The memory array has an associate Security Byte that is located outside of the program address range. This byte can be addressed only from programming mode by a programming tool.

Security is an optional feature and can only be asserted after the memory array has been programmed and verified. A secured part will read all 00(hex) by a programmer. The part will fail Blank Check and will fail Verify operations. A Read operation will fill the programmer's memory with 00(hex). The Security Byte itself is always readable with value of 00(hex) if unsecure and FF(hex) if secure.

DATA MEMORY

The data memory address space includes on chip RAM, I/O and registers. Data memory is addressed directly by the instruction or indirectly through B, X and SP registers. The device has 64 bytes of RAM. Sixteen bytes of RAM are mapped as "registers", these can be loaded immediately, decremented and tested. Three specific registers: X, B, and SP are mapped into this space, the other registers are available for general usage.

The instruction set permits any bit in memory to be directly set, reset or tested. All I/O and registers (except A and PC) are memory mapped; therefore, I/O bits and register bits can be directly and individually set, reset and tested, except the write once only bit (WDREN, WATCHDOG Reset Enable), and the unused and read only bits in CNTRL2 and WDREG registers.

Note: RAM contents are undefined upon power-up.

Reset

EXTERNAL RESET

The RESET input pin when pulled low initializes the microcontroller. The user must insure that the RESET pin is held low until V_{CC} is within the specified voltage range and the clock is stabilized. An R/C circuit with a delay 5x greater than the power supply rise time is recommended (Figure 4). The device immediately goes into reset state when the RESET input goes low. When the RESET pin goes high the device comes out of reset state synchronously. The device

will be running within two instruction cycles of the RESET pin going high. The following actions occur upon reset:

| | |
|--|--|
| Port L | TRI-STATE |
| Port G | TRI-STATE |
| Port D | HIGH |
| PC | CLEARED |
| RAM Contents | RANDOM with Power-On-Reset UNAFFECTED with external Reset (power already applied) |
| B, X, SP | Same as RAM |
| PSW, CNTRL1, CNTRL2 and WDREG Reg. | CLEARED |
| Multi-Input Wakeup Reg. WKEDG, WKEN WKPNL | CLEARED UNKNOWN |
| Data and Configuration Registers for L and G | CLEARED |
| WATCHDOG Timer | Prescaler/Counter each loaded with FF |

The device comes out of the HALT mode when the RESET pin is pulled low. In this case, the user has to ensure that the RESET signal is low long enough to allow the oscillator to restart. An internal $256 t_c$ delay is normally used in conjunction with the two pin crystal oscillator. When the device comes out of the HALT mode through Multi-Input Wakeup, this delay allows the oscillator to stabilize.

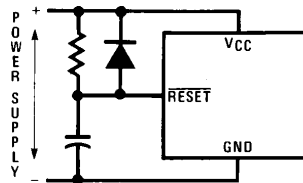
The following additional actions occur after the device comes out of the HALT mode through the RESET pin.

If a two pin crystal/resonator oscillator is being used:

| | |
|----------------------------------|-----------|
| RAM Contents | UNCHANGED |
| Timer T1 and A Contents | UNKNOWN |
| WATCHDOG Timer Prescaler/Counter | ALTERED |

If the external or RC Clock option is being used:

| | |
|----------------------------------|-----------|
| RAM Contents | UNCHANGED |
| Timer T1 and A Contents | UNCHANGED |
| WATCHDOG Timer Prescaler/Counter | ALTERED |



$RC > 5 \times \text{Power Supply Rise Time}$

TL/DD/12528-5

FIGURE 4. Recommended Reset Circuit

Functional Description (Continued)

WATCHDOG RESET

With WATCHDOG enabled, the WATCHDOG logic resets the device if the user program does not service the WATCHDOG timer within the selected service window. The WATCHDOG reset does not disable the WATCHDOG. Upon WATCHDOG reset, the WATCHDOG Prescaler/Counter are each initialized with FF Hex.

The following actions occur upon WATCHDOG reset that are different from external reset.

WDREN WATCHDOG Reset Enable bit UNCHANGED
WDUDF WATCHDOG Underflow bit UNCHANGED

Additional initialization actions that occur as a result of WATCHDOG reset are as follows:

| | |
|---|---------------------------------------|
| Port L | TRI-STATE |
| Port G | TRI-STATE |
| Port D | HIGH |
| PC | CLEARED |
| Ram Contents | UNCHANGED |
| B, X, SP | UNCHANGED |
| PSW, CNTRL1 and CNTRL2 (except WDUDF Bit) Registers | CLEARED |
| Multi-Input Wakeup Registers WKEDG, WKEN, WKPND | CLEARED UNKNOWN |
| Data and Configuration Registers for L and G | CLEARED |
| WATCHDOG Timer | Prescaler/Counter each loaded with FF |

Oscillator Circuits

EXTERNAL OSCILLATOR

CKI can be driven by an external clock signal provided it meets the specified duty cycle, rise and fall times, and input levels. CKO is available as a general purpose input G7 and/or Halt control.

CRYSTAL OSCILLATOR

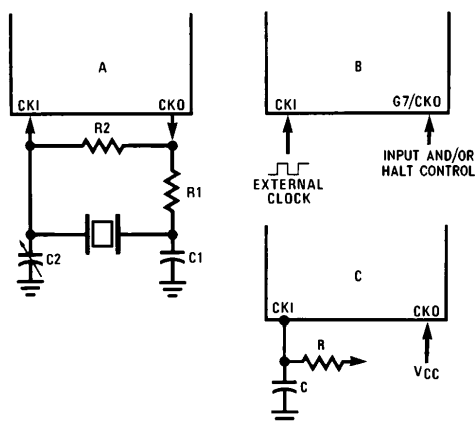
By selecting CKO as a clock output, CKI and CKO can be connected to create a crystal controlled oscillator. Table I shows the component values required for various standard crystal values.

R/C OSCILLATOR

By selecting CKI as a single pin oscillator, CKI can make a R/C oscillator. CKO is available as a general purpose input and/or HALT control. Table II shows variation in the oscillator frequencies as functions of the component (R and C) values.

The oscillator configuration is designated by -1, -2 and -3 at the end of the device ordering number.

-1 Crystal, -2 External and -3 R/C.



TL/DD/12528-6

FIGURE 5. Clock Oscillator Configurations

TABLE I. Crystal Oscillator Configuration

| R1 (k Ω) | R2 (M Ω) | C1 (pF) | C2 (pF) | CKI Freq. (MHz) | Conditions |
|------------------|------------------|---------|---------|-----------------|---------------|
| 0 | 1 | 30 | 30-36 | 10 | $V_{CC} = 5V$ |
| 0 | 1 | 30 | 30-36 | 4 | $V_{CC} = 5V$ |
| 5.6 | 1 | 100 | 100-156 | 0.455 | $V_{CC} = 5V$ |

TABLE II. RC Oscillator Configuration (Part-To-Part Variation)

| R (k Ω) | C (pF) | CK1 Freq. (MHz) | Instr. Cycle (μs) | Conditions |
|-----------------|--------|-----------------|--------------------------|---------------|
| 3.3 | 82 | 1.6 to 1.4 | 6.1 to 7.0 | $V_{CC} = 5V$ |
| 5.6 | 100 | 1.0 to 0.9 | 9.8 to 11.4 | $V_{CC} = 5V$ |
| 6.8 | 100 | 0.8 to 0.7 | 12.1 to 14.3 | $V_{CC} = 5V$ |

Halt Mode

The device is a fully static device. The device enters the HALT mode by writing a one to the G7 bit of the G data register. Once in the HALT mode, the internal circuitry does not receive any clock signal and is therefore frozen in the exact state it was in when halted. In this mode the chip will only draw leakage current.

The device supports three different methods of exiting the HALT mode. The first method is with a low to high transition on the CKO (G7) pin. This method precludes the use of the crystal clock configuration (since CKO is a dedicated output). It may be used either with an RC clock configuration or an external clock configuration. The second method of exiting the HALT mode is with the multi-Input Wakeup feature on the L port. The third method of exiting the HALT mode is by pulling the RESET input low.

If the two pin crystal/resonator oscillator is being used and Multi-Input Wakeup causes the device to exit the HALT mode, the WAKEUP signal does not allow the chip to start running immediately since crystal oscillators have a delayed start up time to reach full amplitude and frequency stability. The WATCHDOG timer (consisting of an 8-bit prescaler followed by an 8-bit counter) is used to generate a fixed delay of 256tc to ensure that the oscillator has indeed stabilized before allowing instruction execution. In this case, upon detecting a valid WAKEUP signal only the oscillator circuitry is enabled. The WATCHDOG Counter and Prescaler are each loaded with a value of FF Hex. The WATCHDOG prescaler is clocked with the tc instruction cycle. (The tc clock is derived by dividing the oscillator clock down by a factor of 10).

The Schmitt trigger following the CKI inverter on the chip ensures that the WATCHDOG timer is clocked only when the oscillator has a sufficiently large amplitude to meet the Schmitt trigger specs. This Schmitt trigger is not part of the oscillator closed loop. The start-up timeout from the WATCHDOG timer enables the clock signals to be routed to the rest of the chip. The delay is not activated when the device comes out of HALT mode through RESET pin. Also, if the clock option is either RC or External clock, the delay is not used, but the WATCHDOG Prescaler/-Counter contents are changed. The Development System will not emulate the 256tc delay.

The $\overline{\text{RESET}}$ pin will cause the device to reset and start executing from address X'0000. A low to high transition on the G7 pin (if single pin oscillator is used) or Multi-Input Wakeup will cause the device to start executing from the address following the HALT instruction.

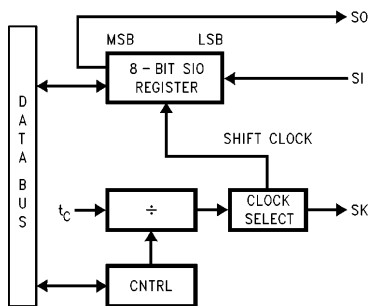
When $\overline{\text{RESET}}$ pin is used to exit the device from the HALT mode and the two pin crystal/resonator (CKI/CKO) clock option is selected, the contents of the Accumulator and the Timer T1 are undetermined following the reset. All other information except the WATCHDOG Prescaler/Counter contents is retained until continuing. All information except the WATCHDOG Prescaler/Counter contents is retained if the device exits the HALT mode through G7 pin or Multi-Input Wakeup.

G7 is the HALT-restart pin, but it can still be used as an input. If the device is not halted, G7 can be used as a general purpose input.

Note: To allow clock resynchronization, it is necessary to program two NOP's immediately after the device comes out of the HALT mode. The user must program two NOP's following the "enter HALT mode" (set G7 data bit) instruction.

MICROWIRE/PLUS

MICROWIRE/PLUS is a serial synchronous bidirectional communications interface. The MICROWIRE/PLUS capability enables the device to interface with any of National Semiconductor's MICROWIRE peripherals (i.e. A/D converters, display drivers, EEPROMs, etc.) and with other microcontrollers which support the MICROWIRE/PLUS interface. It consists of an 8-bit serial shift register (SIO) with serial data input (SI), serial data output (SO) and serial shift clock (SK). Figure 6 shows the block diagram of the MICROWIRE/PLUS interface.



TL/DD/12528-7

FIGURE 6. MICROWIRE/PLUS Block Diagram

The shift clock can be selected from either an internal source or an external source. Operating the MICROWIRE/PLUS interface with the internal clock source is called the Master mode of operation. Operating the MICROWIRE/PLUS interface with an external shift clock is called the Slave mode of operation.

The CNTRL register is used to configure and control the MICROWIRE/PLUS mode. To use the MICROWIRE/PLUS, the MSEL bit in the CNTRL register is set to one. The SK clock rate is selected by the two bits, SL0 and SL1, in the CNTRL register. Table III details the different clock rates that may be selected.

TABLE III

| SL1 | SL0 | SK Cycle Time |
|-----|-----|---------------|
| 0 | 0 | $2t_c$ |
| 0 | 1 | $4t_c$ |
| 1 | x | $8t_c$ |

where,

t_c is the instruction cycle time.

MICROWIRE/PLUS OPERATION

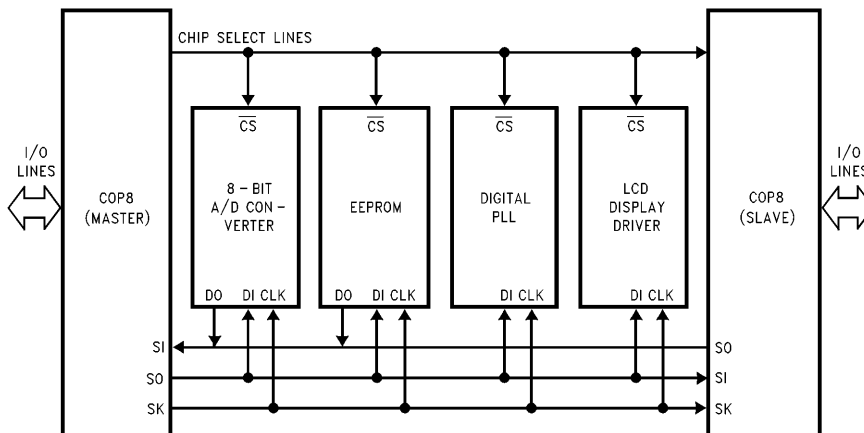
Setting the BUSY bit in the PSW register causes the MICROWIRE/PLUS arrangement to start shifting the data. It gets reset when eight data bits have been shifted. The user may reset the BUSY bit by software to allow less than 8 bits to shift. The device may enter the MICROWIRE/PLUS mode either as a Master or as a Slave. Figure 7 shows how two device microcontrollers and several peripherals may be interconnected using the MICROWIRE/PLUS arrangement.

Master MICROWIRE/PLUS Operation

In the MICROWIRE/PLUS Master mode of operation the shift clock (SK) is generated internally by the device. The MICROWIRE/PLUS Master always initiates all data exchanges (Figure 7). The MSEL bit in the CNTRL register must be set to enable the SO and SK functions on the G Port. The SO and SK pins must also be selected as outputs by setting appropriate bits in the Port G configuration register. Table IV summarizes the bit settings required for Master mode of operation.

Slave MICROWIRE/PLUS Operation

In the MICROWIRE/PLUS Slave mode of operation the SK clock is generated by an external source. Setting the MSEL bit in the CNTRL register enables the SO and SK functions on the G Port. The SK pin must be selected as an input and the SO pin selected as an output pin by appropriately setting up the Port G configuration register. Table IV summarizes the settings required to enter the Slave mode of operation.



TL/DD/12528-8

FIGURE 7. MICROWIRE/PLUS Application

MICROWIRE/PLUS (Continued)

The user must set the BUSY flag immediately upon entering the Slave mode. This will ensure that all data bits sent by the Master will be shifted properly. After eight clock pulses the BUSY flag will be cleared and the sequence may be repeated (see Figure 7).

TABLE IV

| G4 Config. Bit | G5 Config. Bit | G4 Fun. | G5 Fun. | G6 Fun. | Operation |
|----------------|----------------|-----------|---------|---------|------------------|
| 1 | 1 | SO | Int. SK | SI | MICROWIRE Master |
| 0 | 1 | TRI-STATE | Int. SK | SI | MICROWIRE Master |
| 1 | 0 | SO | Ext. SK | SI | MICROWIRE Slave |
| 0 | 0 | TRI-STATE | Ext. SK | SI | MICROWIRE Slave |

Timer/Counter

The device has a powerful 16-bit timer with an associated 16-bit register enabling it to perform extensive timer functions. The timer T1 and its register R1 are each organized as two 8-bit read/write registers. Control bits in the register CNTRL allow the timer to be started and stopped under software control. The timer-register pair can be operated in one of three possible modes. Table V details various timer operating modes and their requisite control settings.

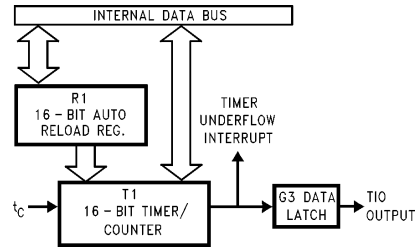
MODE 1. TIMER WITH AUTO-LOAD REGISTER

In this mode of operation, the timer T1 counts down at the instruction cycle rate. Upon underflow the value in the register R1 gets automatically reloaded into the timer which continues to count down. The timer underflow can be pro-

grammed to interrupt the microcontroller. A bit in the control register CNTRL enables the TIO (G3) pin to toggle upon timer underflows. This allows the generation of square-wave outputs or pulse width modulated outputs under software control (Figure 8).

MODE 2. EXTERNAL COUNTER

In this mode, the timer T1 becomes a 16-bit external event counter. The counter counts down upon an edge on the TIO pin. Control bits in the register CNTRL program the counter to decrement either on a positive edge or on a negative edge. Upon underflow the contents of the register R1 are automatically copied into the counter. The underflow can also be programmed to generate an interrupt (Figure 8).



TL/DD/12528-9

FIGURE 8. Timer/Counter Auto Reload Mode Block Diagram

MODE 3. TIMER WITH CAPTURE REGISTER

Timer T1 can be used to precisely measure external frequencies or events in this mode of operation. The timer T1 counts down at the instruction cycle rate. Upon the occurrence of a specified edge on the TIO pin the contents of the

TABLE V. Timer Operating Modes

| CNTRL Bits 7 6 5 | Operation Mode | T Interrupt | Timer Counter On |
|---------------------|---------------------------------------|-----------------|------------------|
| 0 0 0 | External Counter w/Auto-Load Reg. | Timer Underflow | TIO Pos. Edge |
| 0 0 1 | External Counter w/Auto-Load Reg. | Timer Underflow | TIO Neg. Edge |
| 0 1 0 | Not Allowed | Not Allowed | Not Allowed |
| 0 1 1 | Not Allowed | Not Allowed | Not Allowed |
| 1 0 0 | Timer w/Auto-Load Reg. | Timer Underflow | t _c |
| 1 0 1 | Timer w/Auto-Load Reg./Toggle TIO Out | Timer Underflow | t _c |
| 1 1 0 | Timer w/Capture Register | TIO Pos. Edge | t _c |
| 1 1 1 | Timer w/Capture Register | TIO Neg. Edge | t _c |

Timer/Counter (Continued)

timer T1 are copied into the register R1. Bits in the control register CNTRL allow the trigger edge to be specified either as a positive edge or as a negative edge. In this mode the user can elect to be interrupted on the specified trigger edge (Figure 9).

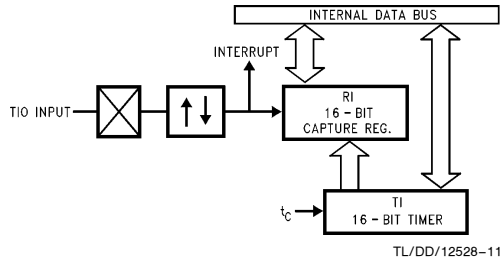


FIGURE 9. Timer Capture Mode Block Diagram

TIMER PWM APPLICATION

Figure 10 shows how a minimal component D/A converter can be built out of the Timer-Register pair in the Auto-Reload mode. The timer is placed in the "Timer with auto reload" mode and the TIO pin is selected as the timer output. At the outset the TIO pin is set high, the timer T1 holds the on time and the register R1 holds the signal off time. Setting TRUN bit starts the timer which counts down at the instruction cycle rate. The underflow toggles the TIO output and copies the off time into the timer, which continues to run. By alternately loading in the on time and the off time at each successive interrupt a PWM frequency can be easily generated.

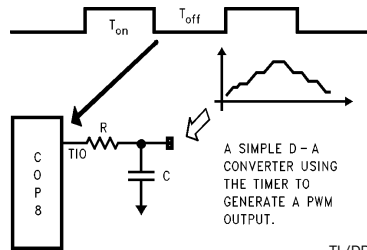


FIGURE 10. Timer Application

WATCHDOG

The device has an on-board 8-bit WATCHDOG timer. The timer contains an 8-bit READ/WRITE down counter clocked by an 8-bit prescaler. Under software control the timer can be dedicated for the WATCHDOG or used as a general purpose counter. Figure 11 shows the WATCHDOG timer block diagram.

MODE 1: WATCHDOG TIMER

The WATCHDOG is designed to detect user programs getting stuck in infinite loops resulting in loss of program control or "runaway" programs. The WATCHDOG can be enabled or disabled (only once) after the device is reset as a result of external reset. On power-up the WATCHDOG is disabled. The WATCHDOG is enabled by writing a "1" to WDREN bit (resides in WDREG register). Once enabled, the user program should write periodically into the 8-bit counter before the counter underflows. The 8-bit counter (WDCNT) is memory mapped at address 0CE Hex. The counter is loaded with n-1 to get n counts. The counter underflow resets the device, but does not disable the WATCHDOG. Loading the 8-bit counter initializes the prescaler with FF Hex and starts the prescaler/counter. Prescaler and counter are stopped upon counter underflow. Prescaler and counter are each loaded with FF Hex when the device goes into the HALT mode. The prescaler is used for crystal/resonator start-up when the device exits the HALT mode through Multi-Input Wakeup. In this case, the prescaler/counter contents are changed.

MODE 2: TIMER

In this mode, the prescaler/counter is used as a timer by keeping the WDREN (WATCHDOG reset enable) bit at 0. The counter underflow sets the WDUDF (underflow) bit and the underflow does not reset the device. Loading the 8-bit counter (load n-1 for n counts) sets the WDTEN bit (WATCHDOG Timer Enable) to "1", loads the prescaler with FF, and starts the timer. The counter underflow stops the timer. The WDTEN bit serves as a start bit for the WATCHDOG timer. This bit is set when the 8-bit counter is loaded by the user program. The load could be as a result of WATCHDOG service (WATCHDOG timer dedicated for WATCHDOG function) or write to the counter (WATCHDOG timer used as a general purpose counter). The bit is cleared upon Brown Out reset, WATCHDOG reset or external reset. The bit is not memory mapped and is transparent to the user program.

TABLE VI. WATCHDOG Control/Status

| Parameter | HALT Mode | WD Reset | EXT Reset | Counter Load |
|------------------|-----------|-----------|-----------|--------------|
| 8-Bit Prescaler | FF | FF | FF | FF |
| 8-Bit WD Counter | FF | FF | FF | User Value |
| WDREN Bit | Unchanged | Unchanged | 0 | No Effect |
| WDUDF Bit | 0 | Unchanged | 0 | 0 |
| WDTEN Signal | Unchanged | 0 | 0 | 1 |

WATCHDOG (Continued)

CONTROL/STATUS BITS

WDUDF: WATCHDOG Timer Underflow Bit

This bit resides in the CNTRL2 Register. The bit is set when the WATCHDOG timer underflows. The underflow resets the device if the WATCHDOG reset enable bit is set (WDREN = 1). Otherwise, WDUDF can be used as the timer underflow flag. The bit is cleared upon external reset, load to the 8-bit counter, or going into the HALT mode. It is a read only bit.

WDREN: WD Reset Enable

WDREN bit resides in a separate register (bit 0 of WDREG). This bit enables the WATCHDOG timer to generate a reset. The bit is cleared upon external reset. The bit under software control can be written to only once (once written to, the hardware does not allow the bit to be changed during program execution).

WDREN = 1 WATCHDOG reset is enabled.

WDREN = 0 WATCHDOG reset is disabled.

Table VI shows the impact of WATCHDOG Reset, and External Reset on the Control/Status bits.

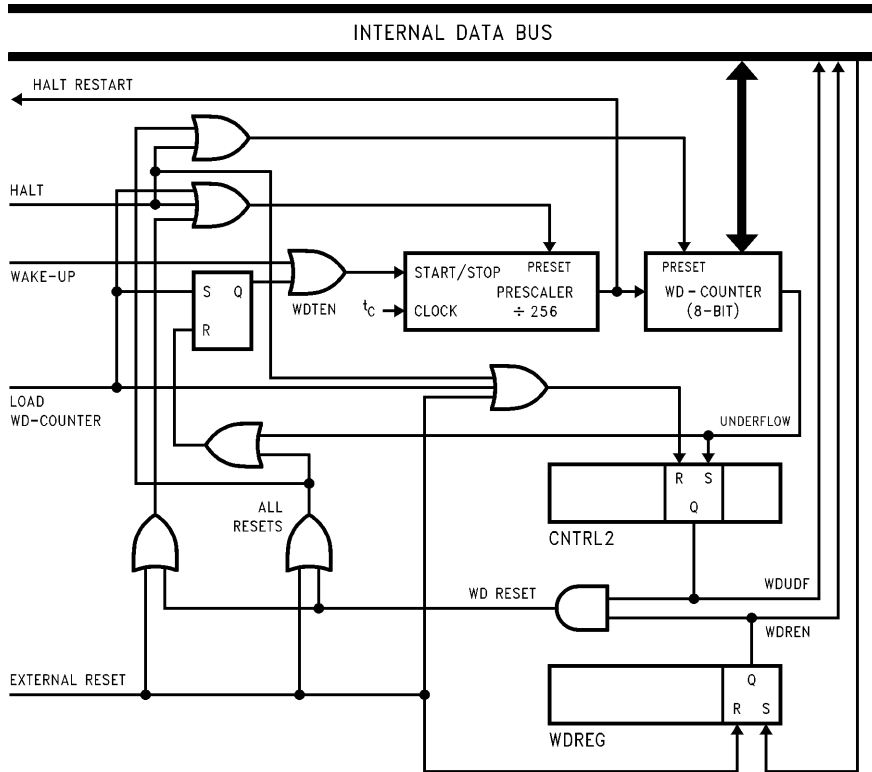


FIGURE 11. WATCHDOG Timer Block Diagram

TL/DD/12528-13

Modulator/Timer

The Modulator/Timer contains an 8-bit counter and an 8-bit autoreload register (MODRL address 0CF Hex). The Modulator/Timer has two modes of operation, selected by the control bit MC3. The Modulator/Timer Control bits MC1, MC2 and MC3 reside in CNTRL2 Register.

MODE 1: MODULATOR

The Modulator is used to generate high frequency pulses on the modulator output pin (L7). The L7 pin should be configured as an output. The number of pulses is determined by the 8-bit down counter. Under software control the modulator input clock can be either CKI or tC. The tC clock is derived by dividing down the oscillator clock by a factor of 10. Three control bits (MC1, MC2, and MC3) are used for the Modulator/Timer output control. When MC2 = 1 and MC3 = 1, CKI is used as the modulator input clock. When MC2 = 0, and MC3 = 1, tC is used as the modulator input clock. The user loads the counter with the desired number of counts (256 max) and sets MC1 to start the counter. The modulator autoreload register is loaded with n-1 to get n pulses. CKI or tC pulses are routed to the modulator output (L7) until the counter underflows (Figure 12). Upon underflow the hardware resets MC1 and stops the counter. The L7 pin goes low and stays low until the counter is restarted by the user program. The user program has the responsibility to timeout the low time. Unless the number of counts is changed, the user program does not have to load the counter each time the counter is started. The counter can simply be started by setting the MC1 bit. Setting MC1 by software will load the counter with the value of the autoreload register. The software can reset MC1 to stop the counter.

MODE 2: PWM TIMER

The counter can also be used as a PWM Timer. In this mode, an 8-bit register is used to serve as an autoreload register (MODRL).

a. 50% Duty Cycle:

When MC1 is 1 and MC2, MC3 are 0, a 50% duty cycle free running signal is generated on the L7 output pin (Figure 13). The L7 pin must be configured as an output pin. In this mode the 8-bit counter is clocked by tC. Setting the MC1

control bit by software loads the counter with the value of the autoreload register and starts the counter. The counter underflow toggles the (L7) output pin. The 50% duty cycle signal will be continuously generated until MC1 is reset by the user program.

b. Variable Duty Cycle:

When MC3 = 0 and MC2 = 1, a variable duty cycle PWM signal is generated on the L7 output pin. The counter is clocked by tC. In this mode the 16-bit timer T1 along with the 8-bit down counter are used to generate a variable duty cycle PWM signal. The timer T1 underflow sets MC1 which starts the down counter and it also sets L7 high (L7 should be configured as an output). When the counter underflows the MC1 control bit is reset and the L7 output will go low until the next timer T1 underflow. Therefore, the width of the output pulse is controlled by the 8-bit counter and the pulse duration is controlled by the 16-bit timer T1 (Figure 14). Timer T1 must be configured in "PWM Mode/Toggle TIO Out" (CNTRL1 Bits 7,6,5 = 101).

Table VII shows the different operation modes for the Modulator/Timer.

TABLE VII. Modulator/Timer Modes

| Control Bits in CNTRL2(00CC) | | | Operation Mode L7 Function |
|------------------------------|-----|-----|--|
| MC3 | MC2 | MC1 | |
| 0 | 0 | 0 | Normal I/O |
| 0 | 0 | 1 | 50% Duty Cycle Mode (Clocked by tC) |
| 0 | 1 | X | Variable Duty Cycle Mode (Clocked by tC) Using Timer 1 Underflow |
| 1 | 0 | X | Modulator Mode (Clocked by tC) |
| 1 | 1 | X | Modulator Mode (Clocked by CKI) |

Note: MC1, MC2 and MC3 control bits are cleared upon reset.

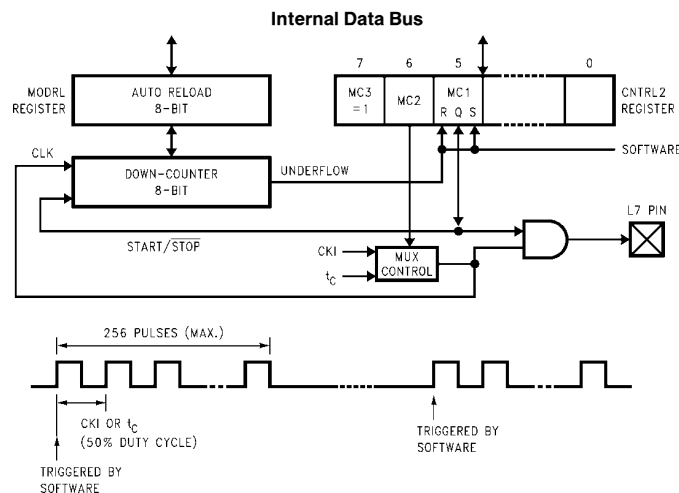
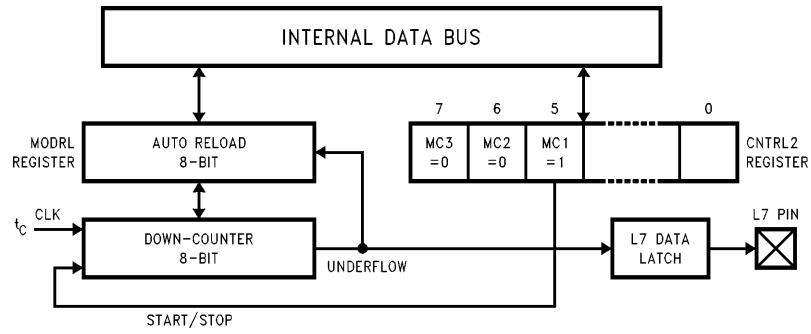


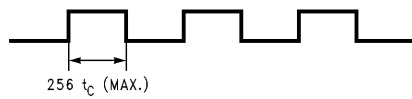
FIGURE 12. Mode 1: Modulator Block Diagram/Output Waveform

TL/DD/12528-14

Modulator/Timer (Continued)

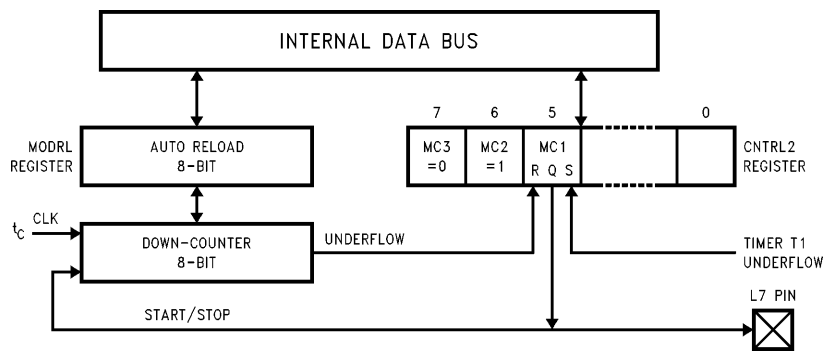


TL/DD/12528-15

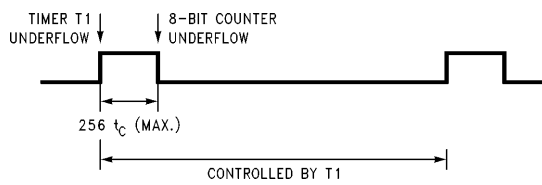


TL/DD/12528-16

FIGURE 13. Mode 2a: 50% Duty Cycle Output



TL/DD/12528-17



TL/DD/12528-18

FIGURE 14. Mode 2b: Variable Duty Cycle Output

Comparator

The device has one differential comparator. Ports L0–L2 are used for the comparator. The output of the comparator is brought out to a pin. Port L has the following assignments:

L0 Comparator output
L1 Comparator negative input
L2 Comparator positive input

THE COMPARATOR STATUS/CONTROL BITS

These bits reside in the CNTRL2 Register (Address 0CC)

CM PEN Enables comparator (“1” = enable)
CM PRD Reads comparator output internally (CM PEN = 1, CM POE = X)
CM POE Enables comparator output to pin L0 (“1” = enable), CM PEN bit must be set to enable this function. If CM PEN = 0, L0 will be 0.

The Comparator Select/Control bits are cleared on RESET (the comparator is disabled). To save power the program should also disable the comparator before the device enters the HALT mode.

The user program must set up L0, L1 and L2 ports correctly for comparator Inputs/Output: L1 and L2 need to be configured as inputs and L0 as output. Table X shows the DC and AC characteristics for the comparator.

Multi-Input Wake Up

The Multi-Input Wakeup feature is used to return (wakeup) the device from the HALT mode. *Figure 15* shows the Multi-Input Wakeup logic.

This feature utilizes the L Port. The user selects which particular L port bit or combination of L Port bits will cause the device to exit the HALT mode. Three 8-bit memory mapped registers, Reg:WKEN, Reg:WKEDG, and Reg:WKPND are used in conjunction with the L port to implement the Multi-Input Wakeup feature.

All three registers Reg:WKEN, Reg:WKPND, and Reg:WKEDG are read/write registers, and are cleared at reset, except WKPND. WKPND is unknown on reset.

The user can select whether the trigger condition on the selected L Port pin is going to be either a positive edge (low to high transition) or a negative edge (high to low transition). This selection is made via the Reg:WKEDG, which is an 8-bit control register with a bit assigned to each L Port pin. Setting the control bit will select the trigger condition to be a negative edge on that particular L Port pin. Resetting the bit selects the trigger condition to be a positive edge. Changing an edge select entails several steps in order to avoid a pseudo Wakeup condition as a result of the edge change. First, the associated WKEN bit should be reset, followed by

the edge select change in WKEDG. Next, the associated WKPND bit should be cleared, followed by the associated WKEN bit being re-enabled.

An example may serve to clarify this procedure. Suppose we wish to change the edge select from positive (low going high) to negative (high going low) for L port bit 5, where bit 5 has previously been enabled for an input. The program would be as follows:

```

RBIT 5,WKEN
SBIT 5,WKEDG
RBIT 5,WKPND
SBIT 5,WKEN
    
```

If the L port bits have been used as outputs and then changed to inputs with Multi-Input Wakeup, a safety procedure should also be followed to avoid inherited pseudo wakeup conditions. After the selected L port bits have been changed from output to input but before the associated WKEN bits are enabled, the associated edge select bits in WKEDG should be set or reset for the desired edge selects, followed by the associated WKPND bits being cleared. This same procedure should be used following RESET, since the L port inputs are left floating as a result of RESET.

The occurrence of the selected trigger condition for Multi-Input Wakeup is latched into a pending register called Reg:WKPND. The respective bits of the WKPND register will be set on the occurrence of the selected trigger edge on the corresponding Port L pin. The user has the responsibility of clearing these pending flags. Since the Reg:WKPND is a pending register for the occurrence of selected wakeup conditions, the device will not enter the HALT mode if any Wakeup bit is both enabled and pending. Setting the G7 data bit under this condition will not allow the device to enter the HALT mode. Consequently, the user has the responsibility of clearing the pending flags before attempting to enter the HALT mode.

If a crystal oscillator is being used, the Wakeup signal will not start the chip running immediately since crystal oscillators have a finite start up time. The WATCHDOG timer prescaler generates a fixed delay to ensure that the oscillator has indeed stabilized before allowing the device to execute instructions. In this case, upon detecting a valid Wakeup signal only the oscillator circuitry and the WATCHDOG timer are enabled. The WATCHDOG timer prescaler is loaded with a value of FF Hex (256 counts) and is clocked from the tc instruction cycle clock. The tc clock is derived by dividing down the oscillator clock by a factor of 10. A Schmitt trigger following the CKI on chip inverter ensures that the WATCHDOG timer is clocked only when the oscillator has a sufficiently large amplitude to meet the Schmitt trigger specs. This Schmitt trigger is not part of the oscillator closed loop. The startup timeout from the WATCHDOG timer enables the clock signals to be routed to the rest of the chip.

Comparator DC and AC Characteristics $4.5V \leq V_{CC} \leq 5.5V, -40^{\circ}C \leq T_A \leq +85^{\circ}C$ (Note 1)

| Parameters | Conditions | Min | Type | Max | Units |
|----------------------------------|---|-----|----------|----------------|---------|
| Input Offset Voltage | $0.4V < V_{IN} < V_{CC} - 1.5V$ | | ± 10 | ± 25 | mV |
| Input Common Mode Voltage Range | | 0.4 | | $V_{CC} - 1.5$ | V |
| Voltage Gain | | | 300k | | V/V |
| DC Supply Current (when enabled) | $V_{CC} = 5.5V$ | | | 250 | μA |
| Response Time | TBD mV Step, TBD mV Overdrive, 100 pF Load | | | 1 | μs |

Note 1: For comparator output current characteristics see L-Port specs.

Multi-Input Wakeup (Continued)

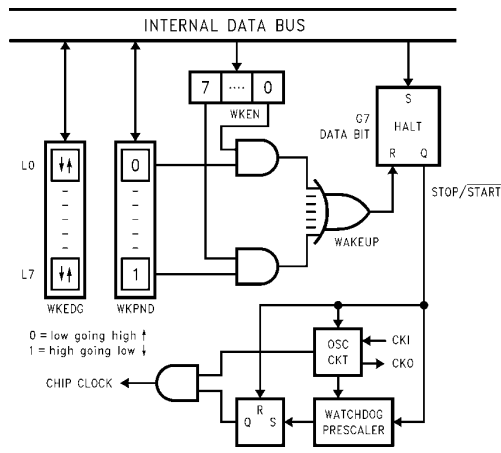


FIGURE 15. Multi-Input Wakeup Logic

INTERRUPTS

The device has a sophisticated interrupt structure to allow easy interface to the real world. There are three possible interrupt sources, as shown below.

A maskable interrupt on external G0 input (positive or negative edge sensitive under software control)

A maskable interrupt on timer carry or timer capture

A non-maskable software/error interrupt on opcode zero

INTERRUPT CONTROL

The GIE (global interrupt enable) bit enables the interrupt function. This is used in conjunction with ENI and ENTI to select one or both of the interrupt sources. This bit is reset when interrupt is acknowledged.

ENI and ENTI bits select external and timer interrupts respectively. Thus the user can select either or both sources to interrupt the microcontroller when GIE is enabled.

IEDG selects the external interrupt edge (0 = rising edge, 1 = falling edge). The user can get an interrupt on both rising and falling edges by toggling the state of IEDG bit after each interrupt.

IPND and TPND bits signal which interrupt is pending. After an interrupt is acknowledged, the user can check these two bits to determine which interrupt is pending. This permits the interrupts to be prioritized under software. The pending flags have to be cleared by the user. Setting the GIE bit high inside the interrupt subroutine allows nested interrupts.

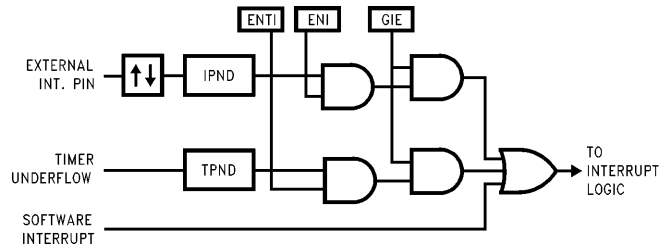


FIGURE 16. Interrupt Block Diagram

The software interrupt does not reset the GIE bit. This means that the controller can be interrupted by other interrupt sources while servicing the software interrupt.

INTERRUPT PROCESSING

The interrupt, once acknowledged, pushes the program counter (PC) onto the stack and the stack pointer (SP) is decremented twice. The Global Interrupt Enable (GIE) bit is reset to disable further interrupts. The microcontroller then vectors to the address 00FFH and resumes execution from that address. This process takes 7 cycles to complete. At the end of the interrupt subroutine, any of the following three instructions return the processor back to the main program: RET, RETSK or RETI. Either one of the three instructions will pop the stack into the program counter (PC). The stack pointer is then incremented twice. The RETI instruction additionally sets the GIE bit to re-enable further interrupts.

Any of the three instructions can be used to return from a hardware interrupt subroutine. The RETSK instruction should be used when returning from a software interrupt subroutine to avoid entering an infinite loop.

Note: There is always the possibility of an interrupt occurring during an instruction which is attempting to reset the GIE bit or any other interrupt enable bit. If this occurs when a single cycle instruction is being used to reset the interrupt enable bit, the interrupt enable bit will be reset but an interrupt may still occur. This is because interrupt processing is started at the same time as the interrupt bit is being reset. To avoid this scenario, the user should always use a two, three, or four cycle instruction to reset interrupt enable bits.

DETECTION OF ILLEGAL CONDITIONS

The device incorporates a hardware mechanism that allows it to detect illegal conditions which may occur from coding errors, noise, and "brown out" voltage drop situations. Specifically, it detects cases of executing out of undefined ROM area and unbalanced tack situations.

Reading an undefined ROM location returns 00 (hexadecimal) as its contents. The opcode for a software interrupt is also "00". Thus a program accessing undefined ROM will cause a software interrupt.

Reading an undefined RAM location returns an FF (hexadecimal). The subroutine stack on the device grows down for each subroutine call. By initializing the stack pointer to the top of RAM, the first unbalanced return instruction will cause the stack pointer to address undefined RAM. As a result the program will attempt to execute from FFFF (hexadecimal), which is an undefined ROM location and will trigger a software interrupt.

Control Registers

CNTRL1 REGISTER (ADDRESS 00EE)

The Timer and MICROWIRE control register contains the following bits:

- SL1 and SL0 Select the MICROWIRE clock divide-by (00 = 2, 01 = 4, 1x = 8)
- IEDG External interrupt edge polarity select
- MSEL Selects G5 and G4 as MICROWIRE signals SK and SO respectively
- TRUN Used to start and stop the timer/counter (1 = run, 0 = stop)
- TC1 Timer T1 Mode Control Bit
- TC2 Timer T1 Mode Control Bit
- TC3 Timer T1 Mode Control Bit

| Bit 7 | | | | | | | Bit 0 | | |
|-------|-----|-----|------|------|------|-----|-------|--|--|
| TC1 | TC2 | TC3 | TRUN | MSEL | IEDG | SL1 | SL0 | | |

PSW REGISTER (ADDRESS 00EF)

The PSW register contains the following select bits:

- GIE Global interrupt enable (enables interrupts)
- ENI External interrupt enable
- BUSY MICROWIRE busy shifting flag
- PND External interrupt pending
- ENTI Timer T1 interrupt enable
- TPND Timer T1 interrupt pending (timer Underflow or capture edge)
- C Carry Flip/Flop
- HC Half-Carry Flip/Flop

| Bit 7 | | | | | | | Bit 0 | | |
|-------|---|------|------|------|------|-----|-------|--|--|
| HC | C | TPND | ENTI | IPND | BUSY | ENI | GIE | | |

The Half-Carry bit is also effected by all the instructions that effect the Carry flag. The flag values depend upon the instruction. For example, after executing the ADC instruction the values of the Carry and the Half-Carry flag depend upon the operands involved. However, instructions like SET C and RESET C will set and clear both the carry flags. Table XIII lists the instructions that effect the HC and the C flags.

TABLE XIII. Instructions Effecting HC and C Flags

| Instr. | HC Flag | C Flag |
|---------|---------------------|---------------------|
| ADC | Depends on Operands | Depends on Operands |
| SUBC | Depends on Operands | Depends on Operands |
| SET C | Set | Set |
| RESET C | Set | Set |
| RRC | Depends on Operands | Depends on Operands |

CNTRL2 REGISTER (ADDRESS 00CC)

| Bit 7 | | | | | | | Bit 0 | |
|-------|-----|-----|-------|-------|-------|-------|--------|--|
| MC3 | MC2 | MC1 | CMPEN | CMPRD | CMPOE | WDUDF | unused | |
| R/W | R/W | R/W | R/W | R/O | R/W | R/O | | |

- MC3 Modulator/Timer Control Bit
- MC2 Modulator/Timer Control Bit
- MC1 Modulator/Timer Control Bit
- CMPEN Comparator Enable Bit
- CMPRD Comparator Read Bit
- CMPOE Comparator Output Enable Bit
- WDUDF WATCHDOG Timer Underflow Bit (Read Only)

WDREN REGISTER (ADDRESS 00CD)

WDREN WATCHDOG Reset Enable Bit (Write Once Only)

| Bit 7 | | Bit 0 | |
|--------|--|-------|--|
| UNUSED | | WDREN | |

Memory Map

All RAM, ports and registers (except A and PC) are mapped into data memory address space.

TABLE IX. Memory Map

| Address | Contents |
|----------|--|
| 00 to 2F | On-chip RAM bytes (48 bytes) |
| 30 to 7F | Unused RAM Address Space (Reads as All Ones) |
| 80 to BF | Expansion Space for On-Chip EERAM (Reads Undefined Data) |
| C0 to C7 | Reserved |
| C8 | MIWU Edge Select Register (Reg:WKEDG) |
| C9 | MIWU Enable Register (Reg:WKEN) |
| CA | MIWU Pending Register (Reg:WKPND) |
| CB | Reserved |
| CC | Control2 Register (CNTRL2) |
| CD | WATCHDOG Register (WDREG) |
| CE | WATCHDOG Counter (WDCNT) |
| CF | Modulator Reload (MODRL) |
| D0 | Port L Data Register |
| D1 | Port L Configuration Register |
| D2 | Port L Input Pins (Read Only) |
| D3 | Reserved for Port L |
| D4 | Port G Data Register |
| D5 | Port G Configuration Register |
| D6 | Port G Input Pins (Read Only) |
| D7 | Port I Input Pins (Read Only) |
| D8 to DB | Reserved for Port C |
| DC | Port D Data Register |
| DD to DF | Reserved for Port D |
| E0 to EF | On-Chip Functions and Registers |
| E0 to E7 | Reserved for Future Parts |
| E8 | Reserved |
| E9 | MICROWIRE Shift Register |
| EA | Timer Lower Byte |
| EB | Timer Upper Byte |
| EC | Timer1 Autoreload Register Lower Byte |
| ED | Timer1 Autoreload Register Upper Byte |
| EE | CNTRL1 Control Register |
| EF | PSW Register |
| F0 to FF | On-Chip RAM Mapped as Registers |
| FC | X Register |
| FD | SP Register |
| FE | B Register |

Reading other unused memory locations will return undefined data.

Addressing Modes

There are ten addressing modes, six for operand addressing and four for transfer of control.

OPERAND ADDRESSING MODES

REGISTER INDIRECT

This is the “normal” addressing mode for the chip. The operand is the data memory addressed by the **B** or **X** pointer.

REGISTER INDIRECT WITH AUTO POST INCREMENT OR DECREMENT

This addressing mode is used with the LD and X instructions. The operand is the data memory addressed by the **B** or **X** pointer. This is a register indirect mode that automatically post increments or post decrements the **B** or **X** pointer after executing the instruction.

DIRECT

The instruction contains an 8-bit address field that directly points to the data memory for the operand.

IMMEDIATE

The instruction contains an 8-bit immediate field as the operand.

SHORT IMMEDIATE

This addressing mode issued with the LD B, # instruction, where the immediate # is less than 16. The instruction contains a 4-bit immediate field as the operand.

INDIRECT

This addressing mode is used with the LAID instruction. The contents of the accumulator are used as a partial address (lower 8 bits of PC) for accessing a data operand from the program memory.

TRANSFER OF CONTROL ADDRESSING MODES

RELATIVE

This mode is used for the JP instruction with the instruction field being added to the program counter to produce the next instruction address. JP has a range from -31 to +32 to allow a one byte relative jump (JP + 1 is implemented by a NOP instruction). There are no “blocks” or “pages” when using JP since all 15 bits of the PC are used.

ABSOLUTE

This mode is used with the JMP and JSR instructions with the instruction field of 12 bits replacing the lower 12 bits of the program counter (PC). This allows jumping to any location in the current 4k program memory segment.

ABSOLUTE LONG

This mode is used with the JMWL and JSRL instructions with the instruction field of 15 bits replacing the entire 15 bits of the program counter (PC). This allows jumping to any location up to 32k in the program memory space.

INDIRECT

This mode is used with the JID instruction. The contents of the accumulator are used as a partial address (lower 8 bits of PC) for accessing a location in the program memory. The contents of this program memory location serves as a partial address (lower 8 bits of PC) for the jump to the next instruction.

Note: The VIS is a special case of the Indirect Transfer of Control addressing mode, where the double byte vector associated with the interrupt is transferred from adjacent addresses in the program memory into the program counter (PC) in order to jump to the associated interrupt service routine.

Instruction Set

REGISTER AND SYMBOL DEFINITIONS

Registers

| | |
|-----|---|
| A | 8-bit Accumulator register |
| B | 8-bit Address register |
| X | 8-bit Address register |
| SP | 8-bit Stack pointer register |
| PC | 15-bit Program counter register |
| PU | upper 7 bits of PC |
| PL | lower 8 bits of PC |
| C | 1-bit of PSW register for carry |
| HC | Half Carry |
| GIE | 1-bit of PSW register for global interrupt enable |

Symbols

| | |
|------|--|
| [B] | Memory indirectly addressed by B register |
| [X] | Memory indirectly addressed by X register |
| Mem | Direct address memory or [B] |
| Meml | Direct address memory or [B] or Immediate data |
| Imm | 8-bit Immediate data |
| Reg | Register memory: addresses F0 to FF (Includes B, X and SP) |
| Bit | Bit number (0 to 7) |
| ← | Loaded with |
| ↔ | Exchanged with |

Instruction Set

| | | |
|--|---|--|
| ADD ADC SUBC AND OR XOR IFEQ IFGT IFBNE DRSZ SBIT RBIT IFBIT | add add with carry subtract with carry Logical AND Logical OR Logical Exclusive-OR IF equal IF greater than IF B not equal Decrement Reg. ,skip if zero Set bit Reset bit If bit | A ← A + Meml A ← A + Meml + C, C ← Carry HC ← Half Carry A ← A + Meml + C, C ← Carry HC ← Half Carry A ← A and Meml A ← A or Meml A ← A xor Meml Compare A and Meml, Do next if A = Meml Compare A and Meml, Do next if A > Meml Do next if lower 4 bits of B ≠ Imm Reg ← Reg - 1, skip if Reg goes to 0 1 to bit, Mem (bit = 0 to 7 immediate) 0 to bit, Mem If bit, Mem is true, do next instr. |
| X LD A LD mem LD Reg | Exchange A with memory Load A with memory Load Direct memory Immed. Load Register memory Immed. | A ↔ Mem A ← Meml Mem ← Imm Reg ← Imm |
| X X LD A LD A LD M | Exchange A with memory [B] Exchange A with memory [X] Load A with memory [B] Load A with memory [X] Load Memory Immediate | A ↔ [B] (B ← B ± 1) A ↔ [X] (X ← X ± 1) A ← [B] (B ← B ± 1) A ← [X] (X ← X ± 1) [B] ← Imm (B ← B ± 1) |
| CLRA INCA DECA LAID DCORA RRCA SWAPA SC RC IFC IFNC | Clear A Increment A Decrement A Load A indirect from ROM DECIMAL CORRECT A ROTATE A RIGHT THRU C Swap nibbles of A Set C Reset C If C If not C | A ← 0 A ← A + 1 A ← A - 1 A ← ROM(PU,A) A ← BCD correction (follows ADC, SUBC) C → A7 → ... → A0 → C A7 ... A4 ↔ A3 ... A0 C ← 1, HC ← 1 C ← 0, HC ← 0 If C is true, do next instruction If C is not true, do next instruction |
| JMPL JMP JP JSRL JSR JID RET RETSK RETI INTR NOP | Jump absolute long Jump absolute Jump relative short Jump subroutine long Jump subroutine Jump indirect Return from subroutine Return and Skip Return from Interrupt Generate an interrupt No operation | PC ← ii (ii = 15 bits, 0 to 32k) PC11..0 ← i (i = 12 bits) PC ← PC + r (r is -31 to +32, not 1) [SP] ← PL,[SP-1] ← PU,SP-2,PC ← ii [SP] ← PL,[SP-1] ← PU,SP-2,PC11..0 ← i PL ← ROM(PU,A) SP+2,PL ← [SP],PU ← [SP-1] SP+2,PL ← [SP],PU ← [SP-1],Skip next instruction SP+2,PL ← [SP],PU ← [SP-1],GIE ← 1 [SP] ← PL,[SP-1] ← PU,SP-2,PC ← OFF PC ← PC + 1 |

| Bits 7-4 | | | | | | | | | | | Bits 3-0 | | | | | | | | | | |
|----------|--------|------------|----------|------------|------------|-------------|-------------|--------------|-------------|----------|----------|---------------|---------------|---------|---------|--|--|--|--|--|--|
| F | E | D | C | B | A | 9 | 8 | 7 | 6 | 5 | 4 | 3 | 2 | 1 | 0 | | | | | | |
| JP -15 | JP -31 | LD 0F0, #i | DRSZ 0F0 | RRCA | RC | ADC A, #i | ADC A, [B] | IFBIT 0, [B] | * | LD B, 0F | IFBNE 0 | JSR 0000-00FF | JMP 0000-00FF | JP + 17 | INTR | | | | | | |
| JP -14 | JP -30 | LD 0F1, #i | DRSZ 0F1 | * | SC | SUBC A, #i | SUBC A, [B] | IFBIT 1, [B] | * | LDB, 0E | IFBNE 1 | JSR 0100-01FF | JMP 0100-01FF | JP + 18 | JP + 2 | | | | | | |
| JP -13 | JP -29 | LD 0F2, #i | DRSZ 0F2 | X A, [X+] | X A, [B+] | IFEQ A, #i | IFEQ A, [B] | IFBIT 2, [B] | * | LD B, 0D | IFBNE 2 | JSR 0200-02FF | JMP 0200-02FF | JP + 19 | JP + 3 | | | | | | |
| JP -12 | JP -28 | LD 0F3, #i | DRSZ 0F3 | X A, [X-] | X A, [B-] | IFGT A, #i | IFGT A, [B] | IFBIT 3, [B] | * | LD B, 0C | IFBNE 3 | JSR 0300-03FF | JMP 0300-03FF | JP + 20 | JP + 4 | | | | | | |
| JP -11 | JP -27 | LD 0F4, #i | DRSZ 0F4 | * | LAID | ADD A, #i | ADD A, [B] | IFBIT 4, [B] | CLRA | LD B, 0B | IFBNE 4 | JSR 0400-04FF | JMP 0400-04FF | JP + 21 | JP + 5 | | | | | | |
| JP -10 | JP -26 | LD 0F5, #i | DRSZ 0F5 | * | JID | AND A, #i | AND A, [B] | IFBIT 5, [B] | SWAPA | LD B, 0A | IFBNE 5 | JSR 0500-05FF | JMP 0500-05FF | JP + 22 | JP + 6 | | | | | | |
| JP -9 | JP -25 | LD 0F6, #i | DRSZ 0F6 | X A, [X] | X A, [B] | XOR A, #i | XOR A, [B] | IFBIT 6, [B] | DCORA | LD B, 9 | IFBNE 6 | JSR 0600-06FF | JMP 0600-06FF | JP + 23 | JP + 7 | | | | | | |
| JP -8 | JP -24 | LD 0F7, #i | DRSZ 0F7 | * | * | OR A, #i | OR A, [B] | IFBIT 7, [B] | * | LD B, 8 | IFBNE 7 | JSR 0700-07FF | JMP 0700-07FF | JP + 24 | JP + 8 | | | | | | |
| JP -7 | JP -23 | LD 0F8, #i | DRSZ 0F8 | NOP | * | LD A, #i | IFC | SBIT 0, [B] | RBIT 0, [B] | LD B, 7 | IFBNE 8 | JSR 0800-08FF | JMP 0800-08FF | JP + 25 | JP + 9 | | | | | | |
| JP -6 | JP -22 | LD 0F9, #i | DRSZ 0F9 | * | * | * | IFNC | SBIT 1, [B] | RBIT 1, [B] | LD B, 6 | IFBNE 9 | JSR 0900-09FF | JMP 0900-09FF | JP + 26 | JP + 10 | | | | | | |
| JP -5 | JP -21 | LD 0FA, #i | DRSZ 0FA | LD A, [X+] | LD A, [B+] | LD [B+], #i | INCA | SBIT 2, [B] | RBIT 2, [B] | LD B, 5 | IFBNE 0A | JSR 0A00-0AFF | JMP 0A00-0AFF | JP + 27 | JP + 11 | | | | | | |
| JP -4 | JP -20 | LD 0FB, #i | DRSZ 0FB | LD A, [X-] | LD A, [B-] | LD [B-], #i | DECA | SBIT 3, [B] | RBIT 3, [B] | LD B, 4 | IFBNE 0B | JSR 0B00-0BFF | JMP 0B00-0BFF | JP + 28 | JP + 12 | | | | | | |
| JP -3 | JP -19 | LD 0FC, #i | DRSZ 0FC | LD Mtd, #i | JMPL | X A, Mtd | * | SBIT 4, [B] | RBIT 4, [B] | LD B, 3 | IFBNE 0C | JSR 0C00-0CFF | JMP 0C00-0CFF | JP + 29 | JP + 13 | | | | | | |
| JP -2 | JP -18 | LD 0FD, #i | DRSZ 0FD | DIR | JSRL | LD A, Mtd | RETSK | SBIT 5, [B] | RBIT 5, [B] | LD B, 2 | IFBNE 0D | JSR 0D00-0DFF | JMP 0D00-0DFF | JP + 30 | JP + 14 | | | | | | |
| JP -1 | JP -17 | LD 0FE, #i | DRSZ 0FE | LD A, [X] | LD A, [B] | LD [B], #i | RET | SBIT 6, [B] | RBIT 6, [B] | LD B, 1 | IFBNE 0E | JSR 0E00-0EFF | JMP 0E00-0EFF | JP + 31 | JP + 15 | | | | | | |
| JP -0 | JP -16 | LD 0FF, #1 | DRSZ 0FF | * | * | * | RETI | SBIT 7, [B] | RBIT 7, [B] | LD B, 0 | IFBNE 0F | JSR 0F00-0FFF | JMP 0F00-0FFF | JP + 32 | JP + 16 | | | | | | |

where, i is the immediate data

Md is a directly addressed memory location

* is an unused opcode (see following table)

Instruction Execution Time

Most instructions are single byte (with immediate addressing mode instruction taking two bytes).

Most single instructions take one cycle time to execute.

Skipped instructions require x number of cycles to be skipped, where x equals the number of bytes in the skipped instruction opcode.

See the BYTES and CYCLES per INSTRUCTION table for details.

BYTES and CYCLES per INSTRUCTION

The following table shows the number of bytes and cycles for each instruction in the format of byte/cycle.

Arithmetic Instructions (Bytes/Cycles)

| | [B] | Direct | Immed. |
|-------|-----|--------|--------|
| ADD | 1/1 | 3/4 | 2/2 |
| ADC | 1/1 | 3/4 | 2/2 |
| SUBC | 1/1 | 3/4 | 2/2 |
| AND | 1/1 | 3/4 | 2/2 |
| OR | 1/1 | 3/4 | 2/2 |
| XOR | 1/1 | 3/4 | 2/2 |
| IFEQ | 1/1 | 3/4 | 2/2 |
| IFGT | 1/1 | 3/4 | 2/2 |
| IFBNE | 1/1 | | |
| DRSZ | | 1/3 | |
| SBIT | 1/1 | 3/4 | |
| RBIT | 1/1 | 3/4 | |
| IFBIT | 1/1 | 3/4 | |

Memory Transfer Instructions (Bytes/Cycles)

| | Register Indirect | | Direct | Immed. | Register Indirect Auto Incr & Decr | |
|------------|-------------------|-----|--------|--------|------------------------------------|----------|
| | [B] | [X] | | | [B+, B-] | [X+, X-] |
| X A,* | 1/1 | 1/3 | 2/3 | | 1/2 | 1/3 |
| LD A,* | 1/1 | 1/3 | 2/3 | 2/2 | 1/2 | 1/3 |
| LD B,Imm | | | | 1/1 | | |
| LD B,Imm | | | | 2/3 | | |
| LD Mem,Imm | | | 3/3 | | 2/2 | |
| LD Reg,Imm | | | | 2/3 | | |

(If B < 16)
(If B > 15)

* => Memory location addressed by B or X or directly.

Instructions Using A & C

| Instructions | Bytes/Cycles |
|--------------|--------------|
| CLRA | 1/1 |
| INCA | 1/1 |
| DECA | 1/1 |
| LAID | 1/3 |
| DCORA | 1/1 |
| RRCA | 1/1 |
| SWAPA | 1/1 |
| SC | 1/1 |
| RC | 1/1 |
| IFC | 1/1 |
| IFNC | 1/1 |

Transfer of Control Instructions

| Instructions | Bytes/Cycles |
|--------------|--------------|
| JMPL | 3/4 |
| JMP | 2/3 |
| JP | 1/3 |
| JSRL | 3/5 |
| JSR | 2/5 |
| JID | 1/3 |
| RET | 1/5 |
| RETSK | 1/5 |
| RETI | 1/5 |
| INTR | 1/7 |
| NOP | 1/1 |

Development Support

SUMMARY

- iceMASTER™: IM-COP8/400—Full feature in-circuit emulation for all COP8 products. A full set of COP8 Basic and Feature Family device and package specific probes are available.
- COP8 Debug Module: Moderate cost in-circuit emulation and development programming unit.
- COP8 Evaluation and Programming Unit: EPU-COP880C—low cost In-circuit simulation and development programming unit.
- Assembler: COP8-DEV-IBMA. A DOS installable cross development Assembler, Linker, Librarian and Utility Software Development Tool Kit.
- C Compiler: COP8C. A DOS installable cross development Software Tool Kit.
- OTP/EPROM Programmer Support: Covering needs from engineering prototype, pilot production to full production environments.

iceMASTER (IM) IN-CIRCUIT EMULATION

The iceMASTER IM-COP8/400 is a full feature, PC based, in-circuit emulation tool developed and marketed by Meta-Link Corporation to support the whole COP8 family of products. National is a resale vendor for these products.

See *Figure 17* for configuration.

The iceMASTER IM-COP8/400 with its device specific COP8 Probe provides a rich feature set for developing, testing and maintaining product:

- Real-time in-circuit emulation; full 2.4V–5.5V DC operation range, full DC-10 MHz clock. Chip options are programmable or jumper selectable.
- Direct connection to application board by package compatible socket or surface mount assembly.
- Full 32 kbytes of loadable programming space that overlays (replaces) the on-chip ROM or EPROM. On-chip RAM and I/O blocks are used directly or recreated on the probe as necessary.
- Full 4k frame synchronous trace memory. Address, instruction, and 8 unspecified, circuit connectable trace lines. Display can be HLL source (e.g., C source), assembly or mixed.

- A full 64k hardware configurable break, trace on, trace off control, and pass count increment events.
- Tool set integrated interactive symbolic debugger—supports both assembler (COFF) and C Compiler (.COD) linked object formats.
- Real time performance profiling analysis; selectable bucket definition.
- Watch windows, content updated automatically at each execution break.
- Instruction by instruction memory/register changes displayed on source window when in single step operation.
- Single base unit and debugger software reconfigurable to support the entire COP8 family; only the probe personality needs to change. Debugger software is processor customized, and reconfigured from a master model file.
- Processor specific symbolic display of registers and bit level assignments, configured from master model file.
- Halt/Idle mode notification.
- On-line HELP customized to specific processor using master model file.
- Includes a copy of COP8-DEV-IBMA assembler and linker SDK.

IM Order Information

| Base Unit | |
|-----------------|--|
| IM-COP8/400-1 | iceMASTER Base Unit, 110V Power Supply |
| IM-COP8/400-2 | iceMASTER Base Unit, 220V Power Supply |
| iceMASTER Probe | |
| MHW-820CJ28DWPC | 28 DIP |
| MHW-820CJ20DWPC | 20 DIP |
| MHW-SOIC 28 | 28 SOIC Adaptor Kit |
| MHW-SOIC 20 | 20 SOIC Adaptor Kit |

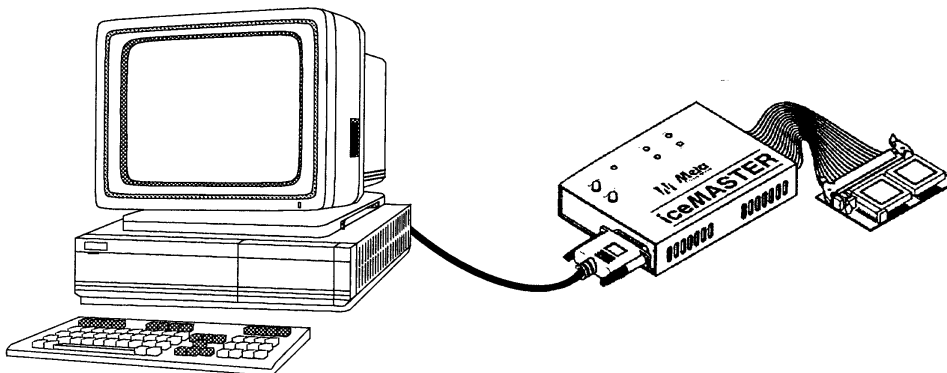


FIGURE 17. COP8 iceMASTER Environment

TL/DD/12528-21

Development Support (Continued)

iceMASTER DEBUG MODULE (DM)

The iceMASTER Debug Module is a PC based, combination in-circuit emulation tool and COP8 based OTP/EPROM programming tool developed and marketed by MetaLink Corporation to support the whole COP8 family of products. National is a resale vendor for these products.

See *Figure 18* for configuration.

The iceMASTER Debug Module is a moderate cost development tool. It has the capability of in-circuit emulation for a specific COP8 microcontroller and in addition serves as a programming tool for COP8 OTP and EPROM product families. Summary of features is as follows:

- Real-time in-circuit emulation; full operating voltage range operation, full DC-10 MHz clock.
- All processor I/O pins can be cabled to an application development board with package compatible cable to socket and surface mount assembly.
- Full 32 kbytes of loadable programming space that overlays (replaces) the on-chip ROM or EPROM. On-chip RAM and I/O blocks are used directly or recreated as necessary.
- 100 frames of synchronous trace memory. The display can be HLL source (C source), assembly or mixed. The most recent history prior to a break is available in the trace memory.
- Configured break points; uses INTR instruction which is modestly intrusive.
- Software—only supported features are selectable.
- Tool set integrated interactive symbolic debugger—supports both assembler (COFF) and C Compiler (.COD) SDK linked object formats.
- Instruction by instruction memory/register changes displayed when in single step operation.

- Debugger software is processor customized, and reconfigured from a master model file.
- Processor specific symbolic display of registers and bit level assignments, configured from master model file.
- Halt/Idle mode notification.
- Programming menu supports full product line of programmable OTP and EPROM COP8 products. Program data is taken directly from the overlay RAM.
- Programming of 44 PLCC and 68 PLCC parts requires external programming adapters.
- Requires external power supply (5V lab supply connector provided).
- On-board V_{PP} generator from 5V input or connection to external supply supported. Requires V_{PP} level adjustment per the family programming specification (correct level is provided on an on-screen pop-down display).
- On-line HELP customized to specific processor using master model file.
- Includes a copy of COP8-DEV-IBMA assembler and linker SDK.

DM Order Information

| Debug Model Unit | |
|------------------|---------------------------|
| COP8-DM/840CJ | |
| Cable Adapters | |
| DM-COP8/28D | 28 DIP Cable |
| DM-COP8/28D-SO | 28 DIP to 28 SOIC Adaptor |
| DM-COP8/20D | 20 DIP Cable |
| DM-COP8/20D-SO | 20 DIP to 20 SOIC Adaptor |

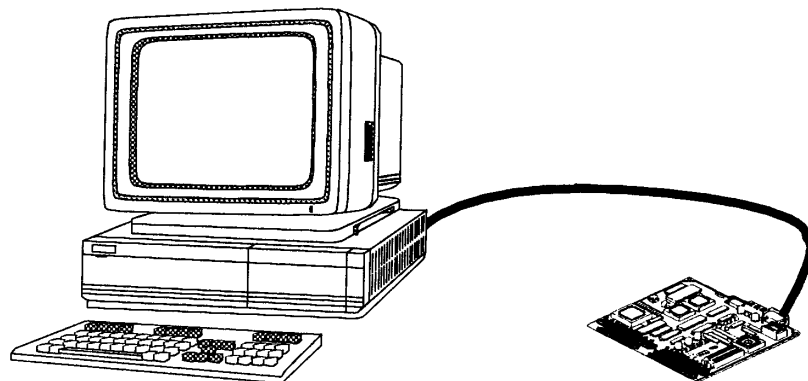


FIGURE 18. COP8-DM Environment

TL/DD/12528-22

Development Support (Continued)

COP8 ASSEMBLER/LINKER SOFTWARE DEVELOPMENT TOOL KIT

National Semiconductor offers a relocatable COP8 macro cross assembler, linker, librarian and utility software development tool kit. Features are summarized as follows:

- Basic and Feature Family instruction set by "device" type.
- Nested macro capability.
- Extensive set of assembler directives.
- Supported on PC/DOS platform.
- Generates National standard COFF output files.
- Integrated Linker and Librarian.
- Integrated utilities to generate ROM code file outputs.
- DUMPCOFF utility.

This product is integrated as a part of MetaLink tools as a development kit, fully supported by the MetaLink debugger. It may be ordered separately or it is bundled with the MetaLink products at no additional cost.

Order Information

| Assembler SDK | |
|---------------|---|
| COP8-DEV-IBMA | Assembler SDK on installable 3.5" PC/DOS Floppy Disk Drive format. Periodic upgrades and most recent version is available on National's BBS and Internet. |

COP8 C COMPILER

A C Compiler is developed and marketed by Byte Craft Limited. The COP8C compiler is a fully integrated development tool specifically designed to support the compact embedded configuration of the COP8 family of products.

Features are summarized as follows:

- ANSI C with some restrictions and extensions that optimize development for the COP8 embedded application.
- BITS data type extension. Register declaration #pragma with direct bit level definitions.
- C language support for interrupt routines.
- Expert system, rule based code generation and optimization.

- Performs consistency checks against the architectural definitions of the target COP8 device.
- Generates program memory code.
- Supports linking of compiled object or COP8 assembled object formats.
- Global optimization of linked code.
- Symbolic debug load format fully source level supported by the MetaLink debugger.

OTP/EMULATOR SUPPORT

The COP8 family is supported by single chip OTP emulators.

Emulator Ordering Information

| Device Number | Clock Option | Package | Emulates |
|----------------|------------------------|---------|----------|
| COP87L20CJN-1N | Crystal, Brownout Dis | 28 DIP | COP820CJ |
| COP87L20CJN-2N | External, Brownout Dis | 28 DIP | COP820CJ |
| COP87L20CJN-3N | R/C, Brownout Dis | 28 DIP | COP820CJ |
| COP87L20CJM-1N | Crystal, Brownout Dis | 28 SO | COP820CJ |
| COP87L20CJM-2N | External, Brownout Dis | 28 SO | COP820CJ |
| COP87L20CJM-3N | R/C, Brownout Dis | 28 SO | COP820CJ |
| COP87L22CJN-1N | Crystal, Brownout Dis | 20 DIP | COP822CJ |
| COP87L22CJN-2N | External, Brownout Dis | 20 DIP | COP822CJ |
| COP87L22CJN-3N | R/C, Brownout Dis | 20 DIP | COP822CJ |
| COP87L22CJM-1N | Crystal, Brownout Dis | 20 SO | COP822CJ |
| COP87L22CJM-2N | External, Brownout Dis | 20 SO | COP822CJ |
| COP87L22CJM-3N | R/C, Brownout Dis | 20 SO | COP822CJ |

Development Support (Continued)**Approved List**

| Manufacturer | North America | Europe | Asia |
|---------------------|---|---|---|
| BP Microsystems | (800) 225-2102 (713) 688-4600 Fax: (713) 688-0920 | + 49-8152-4183 + 49-8856-932616 | + 852-234-16611 + 852-2710-8121 |
| Data I/O | (800) 426-1045 (206) 881-6444 Fax: (206) 882-1043 | + 44-0734-440011 | Call North America |
| HI-LO | (510) 623-8860 | Call Asia | + 886-2-764-0215 Fax: + 886-2-756-6403 |
| ICE Technology | (800) 624-8949 (919) 430-7915 | + 44-1226-767404 Fax: 0-1226-370-434 | |
| MetaLink | (800) 638-2423 (602) 926-0797 Fax: (602) 693-0681 | + 49-80 9156 96-0 Fax: + 49-80 9123 86 | + 852-737-1800 |
| Systems General | (408) 263-6667 | + 41-1-9450300 | + 886-2-917-3005 Fax: + 886-2-911-1283 |
| Needhams | (916) 924-8037 Fax: (916) 924-8065 | | |

Development Support (Continued)

INDUSTRY WIDE OTP/EPROM PROGRAMMING SUPPORT

Programming support, in addition to the MetaLink development tools, is provided by a full range of independent approved vendors to meet the needs from the engineering laboratory to full production.

AVAILABLE LITERATURE

For more information, please see the *COP8 Basic Family User's Manual*, Literature Number 620895, *COP8 Feature Family User's Manual*, Literature Number 620897 and *National's Family of 8-Bit Microcontrollers COP8 Selection Guide*, Literature Number 630009.

DIAL-A-HELPER SERVICE

Dial-A-Helper is a service provided by the Microcontroller Applications Group. The Dial-A-Helper is an Electronic Information System that may be accessed as a Bulletin Board System (BBS) via data modem, as an FTP site on the Internet via standard FTP client application or as an FTP site on the Internet using a standard Internet browser such as Netscape or Mosaic.

The Dial-A-Helper system provides access to an automated information storage and retrieval system. The system capabilities include a MESSAGE SECTION (electronic mail, when accessed as a BBS) for communications to and from the Microcontroller Applications Group and a FILE SECTION which consists of several file areas where valuable application software and utilities could be found.

DIAL-A-HELPER BBS VIA A STANDARD MODEM

Modem: CANADA/U.S.: (800) NSC-MICRO
(800) 672-6427
EUROPE: (+ 49) 0-8141-351332
Baud: 14.4k
Set-Up: Length: 8-Bit
Parity: None
Stop Bit: 1
Operation: 24 Hours, 7 Days

DIAL-A-HELPER VIA FTP

ftp nscmicro.nsc.com
user: anonymous
password: username@yourhost.site.domain

DIAL-A-HELPER VIA A WORLDWIDE WEB BROWSER

ftp://nscmicro.nsc.com

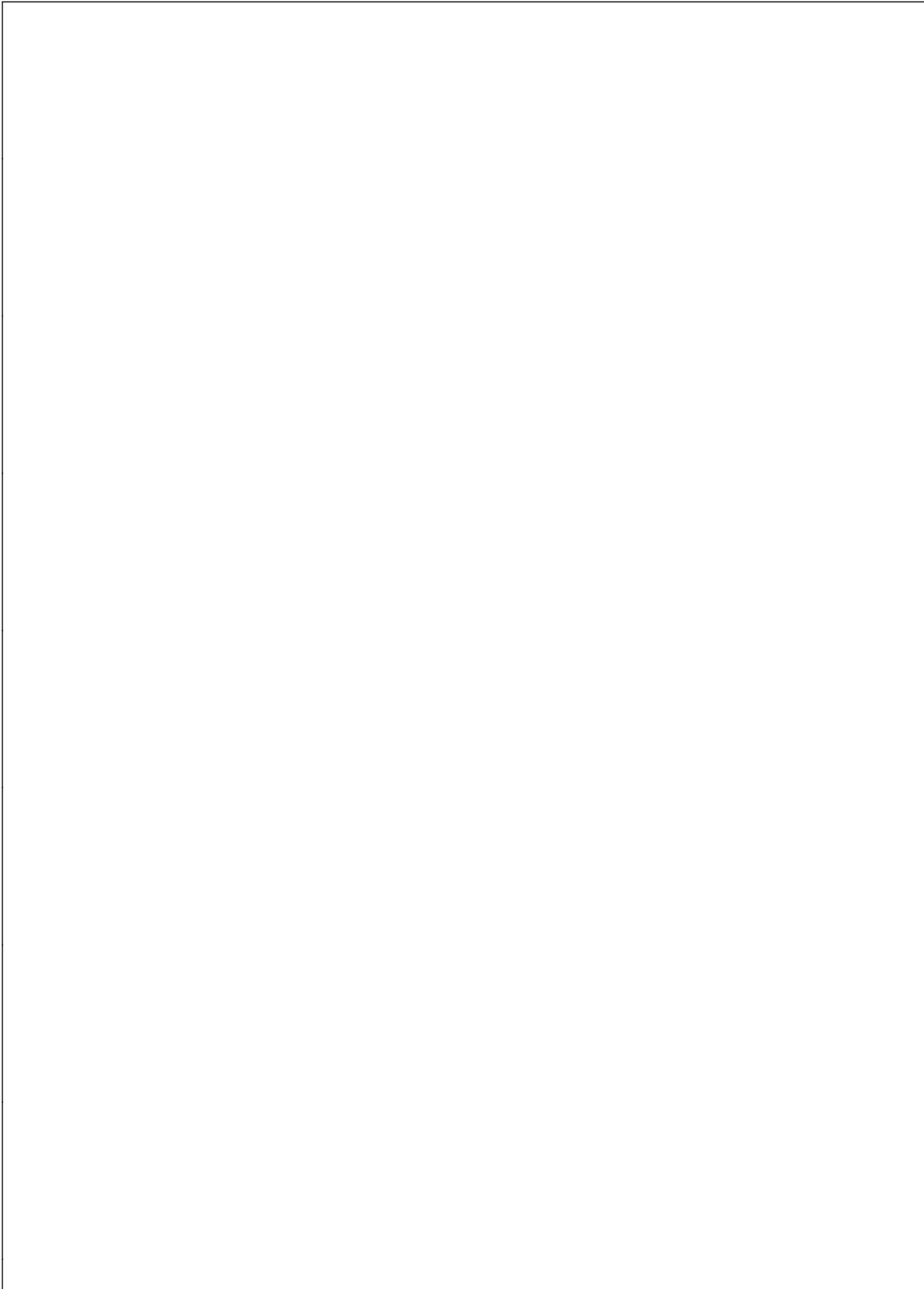
National Semiconductor on the WorldWide Web

See us on the WorldWide Web at: <http://www.national.com>

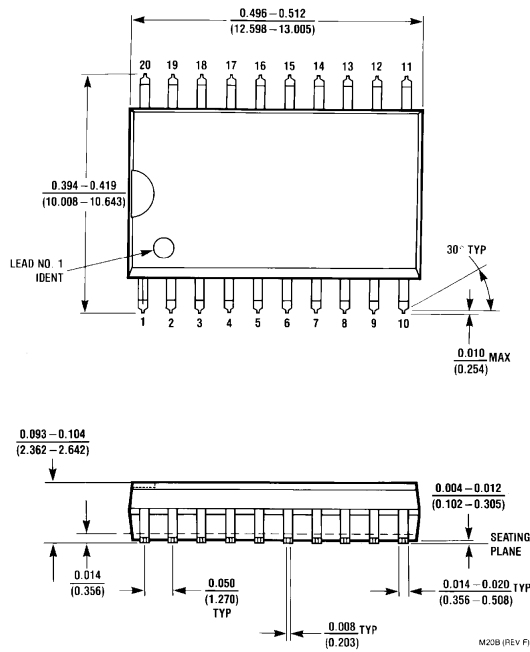
CUSTOMER RESPONSE CENTER

Complete product information and technical support is available from National's customer response centers.

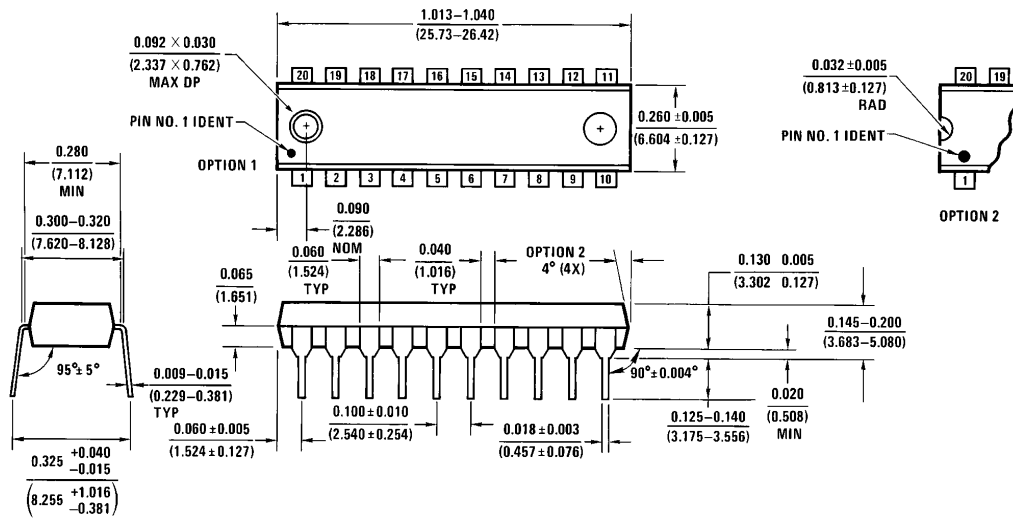
| | | |
|--------------|----------------|------------------------|
| CANADA/U.S.: | Tel: | (800) 272-9959 |
| | email: | support@tevm2.nsc.com |
| EUROPE: | email: | europe.support.nsc.com |
| | Deutsch Tel: | + 49 (0) 180-530 85 85 |
| | English Tel: | + 49 (0) 180-532 78 32 |
| | Français Tel: | + 49 (0) 180-532 93 58 |
| | Italiano Tel: | + 49 (0) 180-534 16 80 |
| JAPAN: | Tel: | + 81-043-299-2309 |
| S.E. ASIA: | Beijing Tel: | (+ 86) 10-6856-8601 |
| | Shanghai Tel: | (+ 86) 21-6415-4092 |
| | Hong Kong Tel: | (+ 852) 2737-1600 |
| | Korea Tel: | (+ 82) 2-3771-6909 |
| | Malaysia Tel: | (+ 60-4) 644-9061 |
| | Singapore Tel: | (+ 65) 255-2226 |
| | Taiwan Tel: | + 886-2-521-3288 |
| AUSTRALIA: | Tel: | (+ 61) 3-9558-9999 |
| INDIA: | Tel: | (+ 91) 80-559-9467 |



Physical Dimensions inches (millimeters) unless otherwise noted

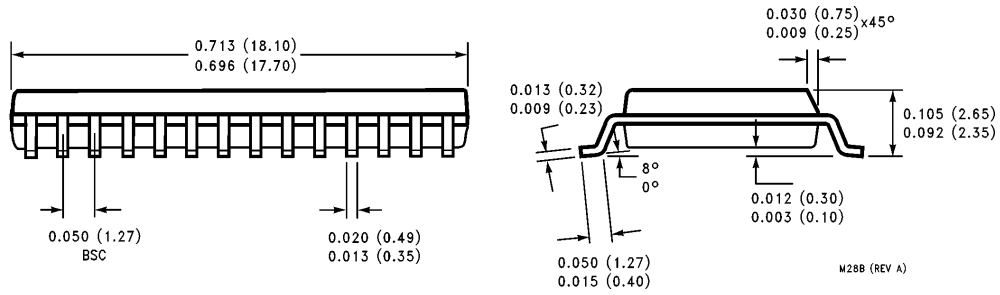
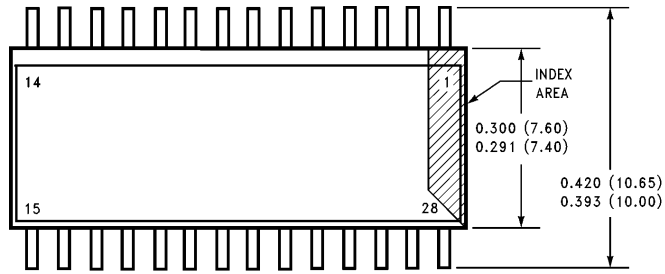


20-Lead Surface Mount Package (M)
Order Number COP87L22CJM (-1N, -2N, -3N)
NS Package Number M20B



20-Lead Molded Dual-In-Line Package (N)
Order Number COP87L22CJN (-1N, -2N, -3N)
NS Package Number N20A

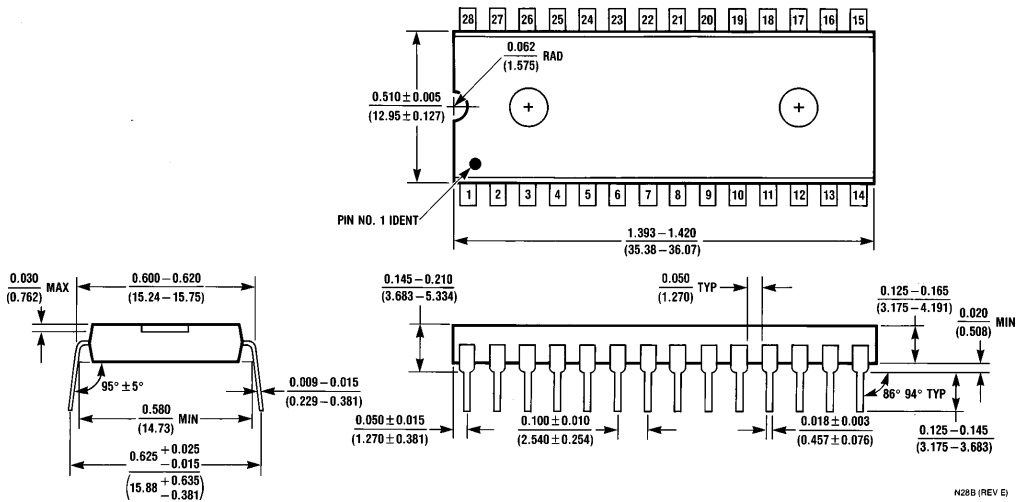
Physical Dimensions inches (millimeters) unless otherwise noted (Continued)



28-Lead Molded Small Outline Package (M)
Order Number COP87L20CJM (-1N, -2N, -3N)
NS Package Number M28B

COP87L20CJ/COP87L22CJ 8-Bit One-Time Programmable (OTP) Microcontrollers with Multi-Input Wake-Up and Brown Out Detector

Physical Dimensions inches (millimeters) unless otherwise noted (Continued)




28-Lead Molded Dual-In-Line Package (N)
Order Number COP87L20CJN (-1B, -1N, -2B, -2N, -3B, -3N)
NS Package Number N28B

LIFE SUPPORT POLICY

NATIONAL'S PRODUCTS ARE NOT AUTHORIZED FOR USE AS CRITICAL COMPONENTS IN LIFE SUPPORT DEVICES OR SYSTEMS WITHOUT THE EXPRESS WRITTEN APPROVAL OF THE PRESIDENT OF NATIONAL SEMICONDUCTOR CORPORATION. As used herein:

1. Life support devices or systems are devices or systems which, (a) are intended for surgical implant into the body, or (b) support or sustain life, and whose failure to perform, when properly used in accordance with instructions for use provided in the labeling, can be reasonably expected to result in a significant injury to the user.
2. A critical component is any component of a life support device or system whose failure to perform can be reasonably expected to cause the failure of the life support device or system, or to affect its safety or effectiveness.

| | | | |
|---|--|---|---|
|  <p>National Semiconductor Corporation 1111 West Bardin Road Arlington, TX 76017 Tel: 1(800) 272-9959 Fax: 1(800) 737-7018 http://www.national.com</p> | <p>National Semiconductor Europe Fax: +49 (0) 180-530 85 86 Email: europe.support@nsc.com Deutsch Tel: +49 (0) 180-530 85 85 English Tel: +49 (0) 180-532 78 32 Français Tel: +49 (0) 180-532 93 58 Italiano Tel: +49 (0) 180-534 16 80</p> | <p>National Semiconductor Hong Kong Ltd. 19th Floor, Straight Block, Ocean Centre, 5 Canton Rd. Tsimshatsui, Kowloon Hong Kong Tel: (852) 2737-1600 Fax: (852) 2736-9960</p> | <p>National Semiconductor Japan Ltd. Tel: 81-043-299-2308 Fax: 81-043-299-2408</p> |
|---|--|---|---|

National does not assume any responsibility for use of any circuitry described, no circuit patent licenses are implied and National reserves the right at any time without notice to change said circuitry and specifications.