



# SX18AC75/SX20AC75/SX28AC75/SX20AC100/SX28AC100

## High-Performance 8-Bit Microcontrollers with EE/Flash Program Memory and In-System Programming Capability

### 1.0 PRODUCT OVERVIEW

#### 1.1 Introduction

The SX18AC75, SX20AC75, SX28AC75, SX20AC100 and SX28AC100 are members of the SX family of high-performance 8-bit microcontrollers fabricated in an advanced CMOS process technology. The advanced process, combined with a RISC-based architecture, allows high-speed computation, flexible I/O control, and efficient data manipulation. Throughput is enhanced by operating the device at frequencies up to 100MHz and by optimizing the instruction set to include mostly single-cycle instructions.

On-chip functions include a general-purpose 8-bit timer with prescaler, an analog comparator, a brown-out detector, a watchdog timer, a power-save mode with multi-source wakeup capability, an internal R/C oscillator, user-selectable clock modes, and high-current outputs.

#### 1.2 Key Features

- 75 MIPS performance at 75 MHz oscillator frequency (SX18/20/28AC75)
- 100 MIPS performance at 100 MHz oscillator frequency (SX20/28AC100)
- 2048 x 12 bits EE/Flash program memory rated for 10,000 rewrite cycles
- 136 x 8 bits SRAM
- In-system programming capability through OSC pins
- Internal RC oscillator with configurable rate from 31.25 KHz to 4 MHz,  $\pm 8\%$  accuracy (continued on page 2)

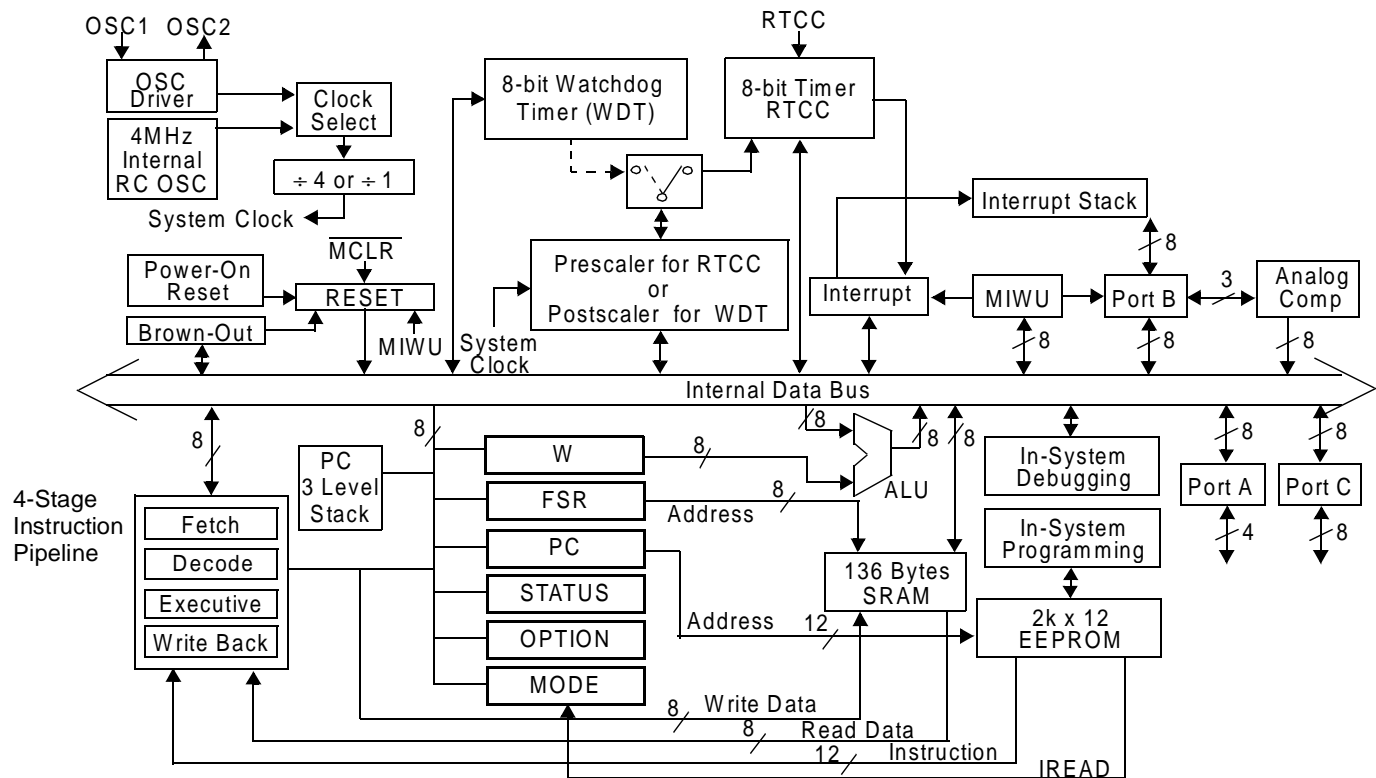


Figure 1-1. Block Diagram

Scenix™ and the Scenix logo are trademarks of Scenix Semiconductor, Inc.  
 I<sup>2</sup>C™ is a trademark of Philips Corporation  
 PIC® is a registered trademark of Microchip Technology, Inc.  
 Microchip® is a registered trademark of Microchip Technology, Inc.

SX-Key™ is a trademark of Parallax, Inc.  
 Microwire™ is a trademark of National Semiconductor Corporation  
 All other trademarks mentioned in this document are property of their respective companies.

## 1.2 Key Features (Continued)

- User selectable clock modes:
  - Internal RC oscillator
  - External oscillator
  - Crystal/resonator options
- External RC oscillator
- Analog comparator
- Brown-out detector (4.2V, on/off)
- Multi-Input Wakeup (MIWU) on eight pins
- Fast lookup capability through run-time readable code
- Complete development tool support available through Parallax

### 1.2.1 CPU Features

- Fully static design – DC to 100 MHz operation
- Fast instruction cycle time
  - 13.3 ns (SX18/20/28AC75)
  - 10 ns (SX20/28AC100)
- Mostly single-cycle instructions
- Selectable 8-level deep hardware subroutine stack
- Single-level interrupt stack
- Fixed three-cycle interrupt response time
- Hardware context save/restore for interrupt
- Designed to be pin-compatible and upward code-compatible with the PIC165x<sup>®</sup>

### 1.2.2 I/O Features

- Software-selectable I/O configuration
  - Each pin programmable as an input or output
  - TTL or CMOS level selection on inputs
  - Internal weak pull-up selection on inputs (~20 k $\Omega$  to  $V_{dd}$ )
- Schmitt trigger inputs on Port B and Port C
- All outputs capable of sinking/sourcing 30 mA
- Symmetrical drive on Port A outputs (same  $V_{drop}$  +/-)

## 1.3 Architecture

The SX devices use a modified Harvard architecture. This architecture uses two separate memories with separate address buses, one for the program and one for data, while allowing transfer of data from program memory to SRAM. This ability allows accessing data tables from program memory. The advantage of this architecture is that instruction fetch and memory transfers can be overlapped with a multi-stage pipeline, which means the next instruction can be fetched from program memory while the current instruction is being executed using data from the data memory.

The SX family implements a four-stage pipeline (fetch, decode, execute, and write back), which results in execution of one instruction per clock cycle. At the maximum operating frequency of 100 MHz, instructions are executed at the rate of one per 10-ns clock cycle.

## 1.4 Programming and Debugging Support

The SX devices are currently supported by the SX-Key™ offered by Parallax, Inc. This tool provides an integrated development environment including editor, macro assembler, debugger, and programmer.

## 1.5 Applications

Emerging applications and advances in existing ones require higher performance while maintaining low cost and fast time-to-market.

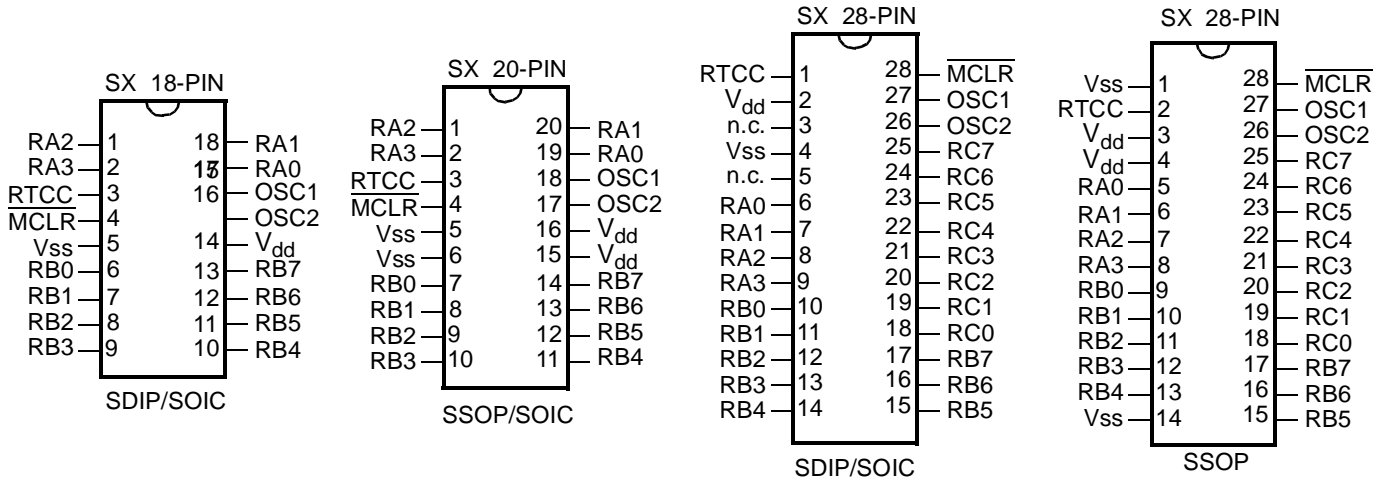
The SX devices provide solutions for many familiar applications such as process controllers, electronic appliances/tools, security/monitoring systems, digital filter implementation, high speed video processing, and telecommunication devices such as a FSK modems with DTMF generation/detection and Caller ID function. With 75 MHz or 100 MHz performance, the SX devices can even replace FPGAs, PLDs, and DSP functions. The deterministic executive of time-critical functions allows efficient implementation of real-time kernels. In addition, the enhanced throughput allows efficient development of software modules called Virtual Peripherals to replace on-chip hardware peripherals. The concept of Virtual Peripherals provides benefits such as using a more simple device, reduced component count, fast time to market, increased flexibility in design, and ultimately overall system cost reduction.

Some examples of Virtual Peripheral modules are:

- Serial, Parallel, I<sup>2</sup>C™, Microwire™ ( $\mu$ -Wire), Dallas  $\mu$ -Wire, SPI, DMX-512, X-10, IR transceivers
- Frequency generation and measurement
- Spectrum analysis
- Multi-tasking, interrupts, and networking
- Resonance loops
- DRAM drivers
- Music and voice synthesis
- PPM/PWM output
- Delta/Sigma ADC
- DTMF I/O and call progress
- 300/1200 baud modem
- Quadrature encoder/decoder
- Peripheral Interface Device (PID) and servo control
- Video controller

## 2.0 CONNECTION DIAGRAMS

### 2.1 Pin Assignments



### 2.2 Pin Descriptions

| Name                    | Pin Type | Input Levels | Description  |
|-------------------------|----------|--------------|--|
| RA0                     | I/O      | TTL/CMOS     | Bidirectional I/O Pin; symmetrical source / sink capability  |
| RA1                     | I/O      | TTL/CMOS     | Bidirectional I/O Pin; symmetrical source / sink capability  |
| RA2                     | I/O      | TTL/CMOS     | Bidirectional I/O Pin; symmetrical source / sink capability  |
| RA3                     | I/O      | TTL/CMOS     | Bidirectional I/O Pin; symmetrical source / sink capability  |
| RB0                     | I/O      | TTL/CMOS/ST  | Bidirectional I/O Pin; comparator output; MIWU input   |
| RB1                     | I/O      | TTL/CMOS/ST  | Bidirectional I/O Pin; comparator negative input; MIWU input                                       |
| RB2                     | I/O      | TTL/CMOS/ST  | Bidirectional I/O Pin; comparator positive input; MIWU input                                       |
| RB3                     | I/O      | TTL/CMOS/ST  | Bidirectional I/O Pin; MIWU input  |
| RB4                     | I/O      | TTL/CMOS/ST  | Bidirectional I/O Pin; MIWU input  |
| RB5                     | I/O      | TTL/CMOS/ST  | Bidirectional I/O Pin; MIWU input  |
| RB6                     | I/O      | TTL/CMOS/ST  | Bidirectional I/O Pin; MIWU input  |
| RB7                     | I/O      | TTL/CMOS/ST  | Bidirectional I/O Pin; MIWU input  |
| RC0                     | I/O      | TTL/CMOS/ST  | Bidirectional I/O pin  |
| RC1                     | I/O      | TTL/CMOS/ST  | Bidirectional I/O pin  |
| RC2                     | I/O      | TTL/CMOS/ST  | Bidirectional I/O pin  |
| RC3                     | I/O      | TTL/CMOS/ST  | Bidirectional I/O pin  |
| RC4                     | I/O      | TTL/CMOS/ST  | Bidirectional I/O pin  |
| RC5                     | I/O      | TTL/CMOS/ST  | Bidirectional I/O pin  |
| RC6                     | I/O      | TTL/CMOS/ST  | Bidirectional I/O pin  |
| RC7                     | I/O      | TTL/CMOS/ST  | Bidirectional I/O pin  |
| RTCC                    | I        | ST           | Input to Real-Time Clock/Counter   |
| MCLR                    | I        | ST           | Master Clear reset input – active low  |
| OSC1/In/V <sub>pp</sub> | I        | ST           | Crystal oscillator input – external clock source input   |
| OSC2/Out                | O        | CMOS         | Crystal oscillator output – in R/C mode, internally pulled to V <sub>dd</sub> through weak pull-up |
| V <sub>dd</sub>         | P        | –            | Positive supply pin  |
| V <sub>ss</sub>         | P        | –            | Ground pin   |

Note: I = input, O = output, I/O = Input/Output, P = Power, TTL = TTL input, CMOS = CMOS input, ST = Schmitt Trigger input, MIWU = Multi-Input Wakeup input

### 2.3 Part Numbering

Table 2-1. Ordering Information

| Device       | Pins | I/O | EE/Flash (Words) | RAM (Bytes) |
|--------------|------|-----|------------------|-------------|
| SX18AC75/SO  | 18   | 12  | 2K               | 136         |
| SX18AC75/DP  | 18   | 12  | 2K               | 136         |
| SX20AC75/SS  | 20   | 12  | 2K               | 136         |
| SX20AC100/SO | 20   | 12  | 2K               | 136         |
| SX28AC75/SO  | 28   | 20  | 2K               | 136         |
| SX28AC75/DP  | 28   | 20  | 2K               | 136         |
| SX28AC75/SS  | 28   | 20  | 2K               | 136         |
| SX28AC100/SO | 28   | 20  | 2K               | 136         |

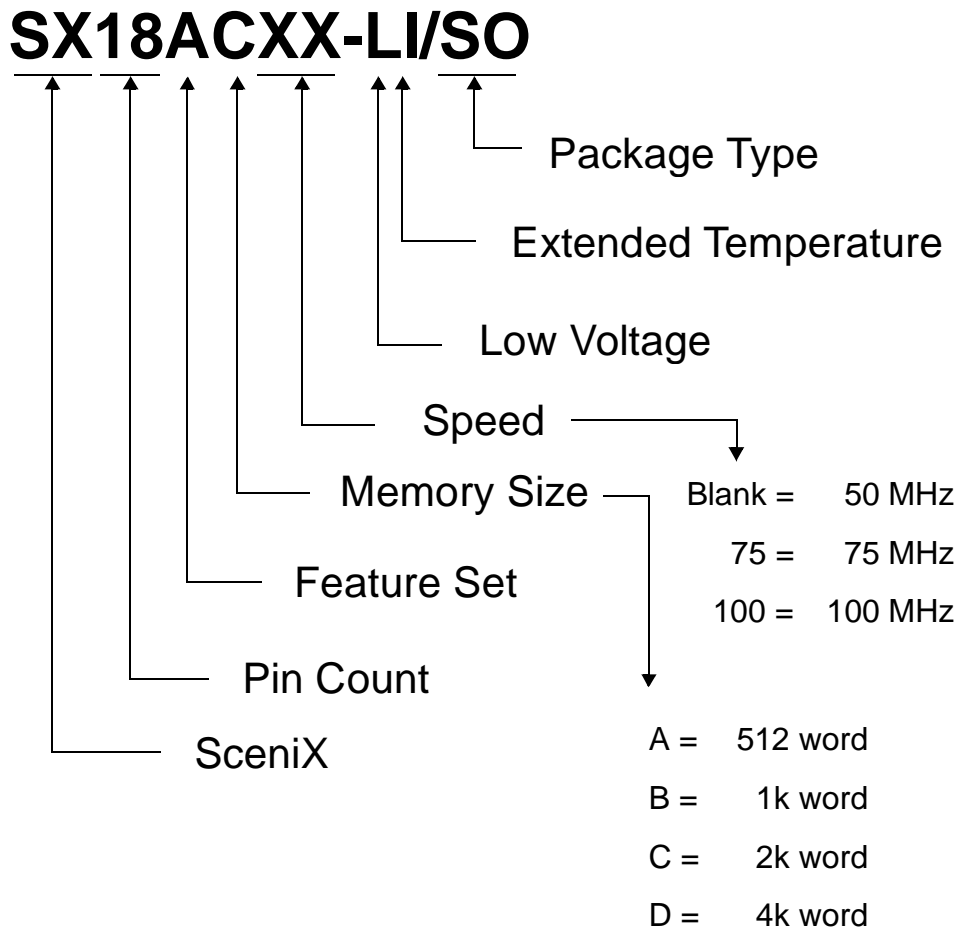


Figure 2-1. Part Number Reference Guide

**MANUFACTURERS REPRESENTATIVES****Benelux**

Memec Benelux  
Gen. De Wittelaan, 17 B10  
2800 Mechelen  
Tel: (32) 15-400-0800  
Email:  
BdeVries@meb.memec.com

**France**

A2M  
5 rue Carle Vernet  
92315 Sevres Cedex  
Tel: (33) 1-4623-7900  
Email: mgadreau@tekelec.fr

**Germany**

Topas Electronic GmbH  
Fliegerstrasse 1  
30179 Hannover  
Tel: (49) 898-991-430  
Email: ulf.Topas@t-online.de

Scantec Mikroelektronik GmbH  
Behringstrasse 10  
82152 Planegg  
Tel: (49) 511-968-640  
Email: stenwaldo@com-  
puserve.com

**United Kingdom**

Ambar Components  
Rabans Close  
Aylesbury  
HP19 3RS Bucks  
Tel: (944) 129-639-7396  
Email:  
rthomson@acp.memec.com

**Ireland**

Curragh Technology  
Block H, Lock Quay  
Clare Street  
Limerick  
Tel: (353) 6-131-6116  
Email: jburton@ctl.memec.com

**Italy**

Silverstar-Celdis  
Viale Fulvio Testi, 280  
20126 Milano  
Tel: (39) 2-661-251  
Email: rbaldoni@arrowitaly.com

**Norway**

BIT Elektronikk  
Smedsvingen 4  
PO BOX 194  
1360 Nesbru  
Tel: (47) 66-776-599  
Email: njh@bit.no

**Switzerland**

Computer Components AG  
Neunbrunnenstrasse 55  
8050 Zurich  
Tel: (41) 13-086-655  
Email: kolbicz@ccontrols.ch

**China/Hong Kong**

C. S. T. Technology, Ltd.  
Room 907, Tower 1, Silvercord  
30 Canton Road, TST  
Kowloon, Hong Kong  
Tel: (852) 2376-1882  
Email:  
sunadmin@sunrise.com.hk

Room 3113, Everbright ITIC  
Bldg.  
15 Bai Shi Qiao Road  
Hai Dian Dist., Beijing, 100081  
Tel: (010) 6848-6895  
Email:  
sunadmin@sunrise.com.hk

Room 519, Changning S&T  
Bldg.  
No. 201 Tian Shan Zhi Road  
Shanghai, 200051  
Tel: (201) 6259-4939  
Email:  
sunadmin@sunrise.com.hk

8/F, Block B, Overseas Decora-  
tion Bldg.  
11 Zhenhua Road  
Shenzhen, 518031  
Tel: (0755) 332-5656  
Email:  
sunadmin@sunrise.com.hk

**Taiwan**

Promate Electronic Co., Ltd.  
4F 32m Sec.1, Huan Shan Road  
Nei Hu, Taipei 114  
Tel: (886) 2-2659-0303  
Email: irving@promate.com.tw

Pinnacle Technology Co.  
4F, 270, Sec. 3, Nan-Kang Road  
Taipei  
Tel: (886) 2-2788-4800  
Email: pinnacle@ms1.hinet.net

**Japan**

Sumisho Electronic Devices  
Corp.  
1 Kandamitoshirocho  
Chiyoda-ku, Tokyo 101  
Tel: (81) 3-5282-7225  
Email:  
masayuki\_kobayashi@sed.co.jp

**Korea**

Comfile Technology  
30-1 Shingae-Dong  
Youngsan-Gu, Seoul 140-090  
Tel: (82) 2-711-2592  
Email:  
comfile@soback.kornet.nm.kr

Team Korea  
292-6 Yatap-Dong, Bundang-Ku  
Sungam-Si, Kyungki-Do  
Tel: (82) 342-705-1825  
Email:  
mikechoi@teamkorea.com  
http://www.teamkorea.com

For the latest contact and support information on SX devices, please visit the Scenix Semiconductor website at [www.scenix.com](http://www.scenix.com). The site contains technical literature, local sales contacts, tech support and many other features.



**Scenix Semiconductor, Inc.**

**3160 De La Cruz Blvd., Suite #200**

Santa Clara, CA 95054

(408) 327-8888

<http://www.scenix.com>

## Sales and Tech Support Contact Information

### US DISTRIBUTOR

#### Unique Technologies

9980 Huennekens Street  
 San Diego, CA 92121  
 (800) 677-5664 Corporate Headquarters  
 (800) 556-0225 Direct to Local Office

### DEVELOPMENT TOOLS

#### Parallax Inc.

3805 Atherton Road, Suite 102  
 Rocklin, CA 95765  
 (916) 624-8333  
<http://www.parallaxinc.com>

### MANUFACTURERS REPRESENTATIVES

#### South Nevada; Utah, Idaho; Montana; Wyoming; Colorado; New Mexico; Arizona

Nelco Electronix  
 Chandler  
 Tel: (602) 726-2334  
 Email: nelcoaz@aol.com

9725 E. Hampden Avenue  
 Suite 100  
 Denver, CO 80231  
 Tel: (303) 671-7677  
 Email: nelcoelect@aol.com

Boise  
 Tel: (208) 343-9171  
 Email: nelcotd@aol.com

Albuquerque  
 Tel: (505) 293-1399  
 Email: nelco@swcp.com

El Paso  
 Tel: (915) 833-7300  
 Email: nelco@dzn.com

Utah  
 Tel: (208) 343-9171  
 Email: nelcotd@aol.com

#### New York; East Pennsylvania; South New Jersey

Quality Components, Inc.  
 4211 Anita Drive  
 Collegeville, PA 19426  
 Tel: (800) 965-8885  
 Email: brogers@quality-compo-  
 nent.com

116 Fayette Street  
 Manilus, NY 13104  
 Tel: (315) 682-8885

#### Tennessee; N. Carolina; S. Carolina; Georgia; Alabama; Mississippi

STG  
 101 Washington Street  
 Suite 6  
 Huntsville, AL 35801  
 Tel: (205) 534-2376  
 Email: hstokes@stghsv.com

6045 Atlantic Boulevard  
 Norcross, GA 30071  
 Tel: (770) 239-7576  
 Email: hstokes@stghsv.com

207 New Edition Court  
 Cary, NC 27511  
 Tel: (919) 468-1524  
 Email: hstokes@stghsv.com

#### North California

Impact Technical Sales, Inc.  
 1150 N. First St. #205  
 San Jose, CA 95112  
 Tel: (408) 291-5100  
 Email: info@impactTSI.com

#### South California

Spectrum Rep Company  
 31368 Via Colinas  
 Suite 101  
 Westlake Village, CA 91362  
 Tel: (818) 706-2919  
 Email: larryclark@spectrum-  
 rep.com  
<http://www.spectrumrep.com>

30211 Avenida de las Banderas  
 Suite 200  
 Rancho Santa Margarita,  
 CA 92688  
 Tel: (949) 766-6700  
 Email: paul@spectrumrep.com

27281 Las Ramblas  
 Suite 200  
 Mission Viejo, CA 92691  
 Tel: (949) 367-3132  
 Email: zig@spectrumrep.com

16776 Bernardo Ctr. Dr.  
 Suite 203  
 San Diego, CA 92128  
 Tel: (619) 618-1440  
 Email: paul@spectrumrep.com

#### N. Dakota; S. Dakota; Minnesota

Com-Tek Sales, Inc  
 3502 Shoreline Drive  
 Navarre, MN 55392-0017  
 Tel: (612) 471-7181  
 Email: comtek@comtek-  
 sales.com

#### Michigan; Indiana; Ohio; Kentucky; West Pennsylvania

Schillinger Associates, Inc.  
 2297 East Boulevard  
 Kokomo, IN 46902  
 Tel: (765) 457-7241  
 Email: saicorp@msn.com

#### Southeast New York; North New Jersey

ERA  
 354 Veterans Memorial Highway  
 Commack, NY 11725  
 Tel NY: (516) 543-0510  
 Tel NJ: (800) 645-5500  
 Email: info.era@erareps.com  
<http://www.erareps.com>

#### Texas; Oklahoma; Arizona; Louisiana

TechSource  
 7605 Parkview Circle  
 Austin, TX 78731  
 Tel: (512) 502-9962  
 Fax: (512) 502-9985

#### Wisconsin; Illinois

Dynamic Technical Sales  
 416 East State Parkway  
 Suite 212  
 Schaumburg, IL 60173  
 Tel: (847) 755-5490  
 Email: dts@dtsrep.com

553 Industrial Drive  
 Suite 6  
 Hartland, WI 53029  
 Tel: (414) 367-1821  
 Email: dtsinc@execpc.com

For the latest contact and support information on SX devices, please visit the Scenix Semiconductor website at [www.scenix.com](http://www.scenix.com). The site contains technical literature, local sales contacts, tech support and many other features.



**Scenix Semiconductor, Inc.**

**3160 De La Cruz Blvd., Suite #200**

Santa Clara, CA 95054

(408) 327-8888

<http://www.scenix.com>